



Solenoid valve 3/2 way N.C.
Direct acting - Hose connection exhaust
NSF Certified

31JPBXP1V12-T0
÷
31JPBXR23

PRESENTATION:

Direct acting S.V. for interception of fluids compatible with the construction materials.

Minimum operational pressure is not required.

The materials used and the tests carried out ensure maximum reliability and duration.

USE: Vending

PIPES: Plug in connection

COIL: 5W - Ø 10
 LBA 155°C (class F)
 LBF - LBV 180°C (class H)

COIL HOUSING AND COIL FORMER MATERIAL ARE MADE BY 100% VIRGIN MATERIAL.

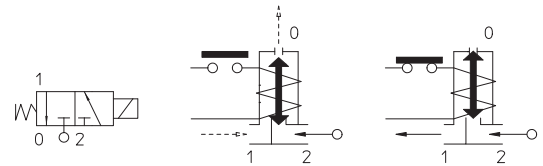
Max. allowable pressure (PS) 16 bar

Ambient temperature:

See coils catalogue page for its compatibility.



Gaskets	Temperature		Medium
V=FKM (fluoroelastomer)	- 10°C	+ 140°C	Water, air, steam



Pipe	Code	Fig.	Max viscosity		Ø mm	Kv l/mn	Power watt	Pressure		
			cSt	°E				min bar	M.O.P.D AC bar DC bar	
Plug in connection	31JPBXP1V12-T0 •	1	12	~ 2	1,2*	0,75	5	0	15	-
	31JPBXR23	2							-	5
	31JPBXP1V23-ST0 •	1	37	~ 5	2,3*	2,1			5	-
	31JPBXP1V23-T0 •								5	-
	31JPBXR23	2								



Note

* 3rd way exhaust= Ø 1,7 mm | Coil nut assembly 2 Nm max; armature tube 4 Nm | Available with coil Ex nA | The use of rigid sealings (Ruby or PTFE) usually implies a slight leakage, limited within 2 cc/min at the pressure of 1 bar | For application with steam or with PS above the 16 bar, please consult our Technical Service | Available on request and with minimum quantities.

The "ODE" reserves the right to carry out technical and aesthetic modifications without prior notice.

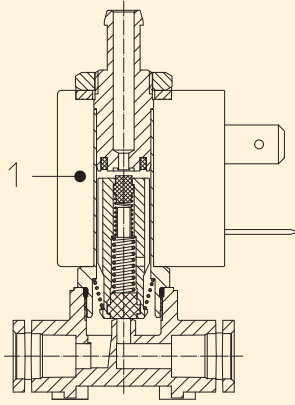


Fig. 1

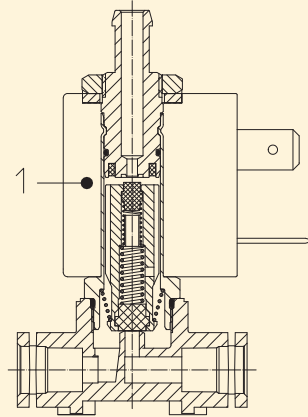


Fig. 2

MATERIALS:

Body	PPS
Armature tube (fig.1)	Stainless steel AISI series 300
Armature tube (fig.2)	Brass - UNI EN 12165 CW617N
Fixed core	Stainless steel AISI series 400
Plunger	Stainless steel AISI series 400
Phase displacement ring (fig.1)	Gold plated copper
Phase displacement ring (fig.2)	Copper
Spring	Stainless steel AISI series 300
Seal	V=FKM
Orifice	PPS

On request:

Connector	Pg 9 or Pg 11
Connector conformity	ISO 4400

FEATURES:

Electrical conformity	IEC 335
Protection degree	IP 65 EN 60529 (DIN 40050) with coil fitted by connector.

SPARE PARTS:

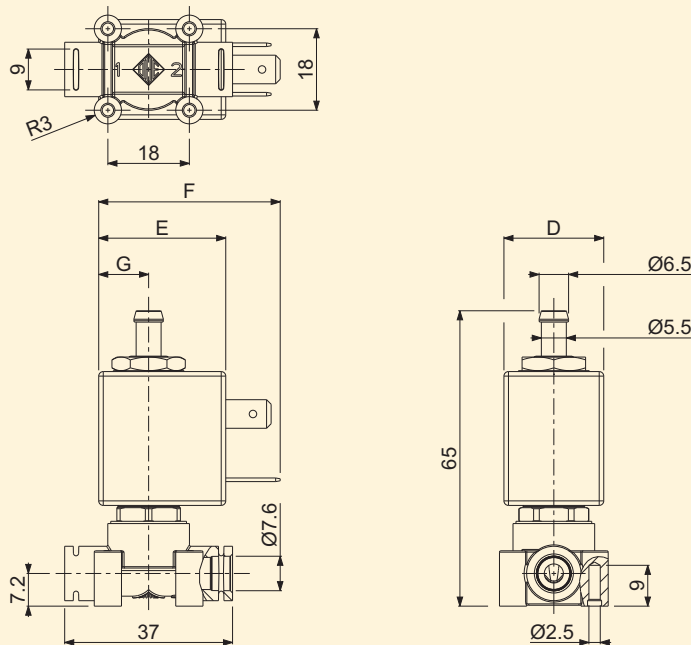
1. Coil:

See coils list

ACCESSORIES:

- Tube (int.Ø 2 mm; ext.Ø 4mm)
for fast fitting
Code R453130/
Tube with male fitting
Code R453154/
Tube with double male fitting
(see catalogue page)

DIMENSIONS:



COIL TYPE	POWER ABSORPTION			DIMENSIONS			
	W =	Hold VA ~	Inrush VA ~	D mm	E mm	F mm	G mm
L	5	10	15	22	27,5	39,5	11