



Solenoid valve 3/2 way N.C.
Direct acting - Hose connection exhaust
NSF Certified

31JP6XP1V12-ST0
 ÷
 31JP6XP1V23-T0

PRESENTATION:

Direct acting S.V. for interception of fluids compatible with the construction materials.
 Minimum operational pressure is not required.
 The materials used and the tests carried out ensure maximum reliability and duration.

USE: Vending

PIPES: Push-in Ø 6

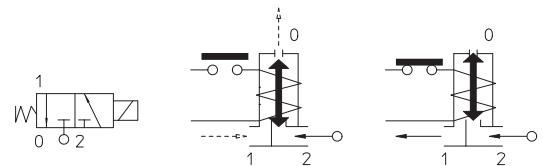
COIL:
 5W - Ø 10
 LBA 155°C (class F)
 LBF - LBV 180°C (class H)

COIL HOUSING AND COIL FORMER MATERIAL ARE MADE BY 100% VIRGIN MATERIAL.

Max. allowable pressure (PS) 16 bar
 Ambient temperature:
 See coils catalogue page for its compatibility.



Gaskets	Temperature		Medium
V=FKM (fluoroelastomer)	- 10°C	+ 140°C	Air, water, steam



Raccordo	Codice	Viscosità max ammissibile		Ø mm	Kv l/min	Potenza watt	Pressione		
		cSt	°E				min bar	M.O.P.D.	
P.I. Ø 6	31JP6XP1V12-ST0	12	~ 2	1,2*	0,75	5	0	15	15
	31JP6XP1V12-T0								-
	31JP6XP1V23-ST0	53	~ 7	2,3*	2,1			5	5
	31JP6XP1V23-T0								-



Note

* 3rd way exhaust= Ø 1,7 mm | Max torque coil nut assembly 2 Nm, armature tube 3 Nm | For tubes: PA and PTFE | Verify tubes for pressure characteristics and operating temperatures | Available with coil Ex nA | For application with steam, please consult our Technical Service | Available on request and with minimum quantities.

The "ODE" reserves the right to carry out technical and aesthetic modifications without prior notice.

MATERIALS:

Body	PPS
Armature tube	Stainless steel AISI series 300
Fixed core	Stainless steel AISI series 400
Plunger	Stainless steel AISI series 400
Phase displacement ring	Gold plated copper
Seal	V=FKM
Orifice	PPS
OR Pipe	EPDM

On request:

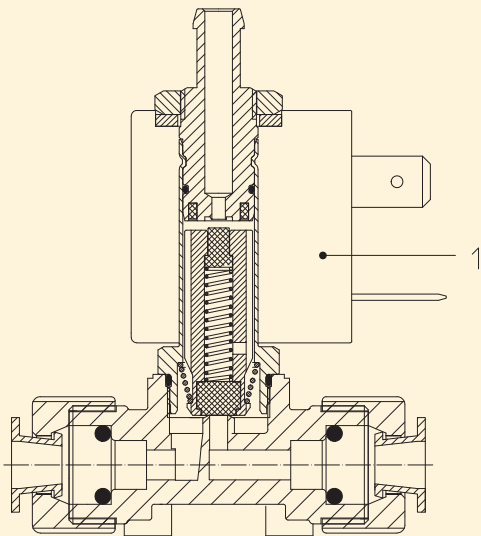
Connector	Pg 9 or Pg 11
Connector conformity	ISO 4400

FEATURES:

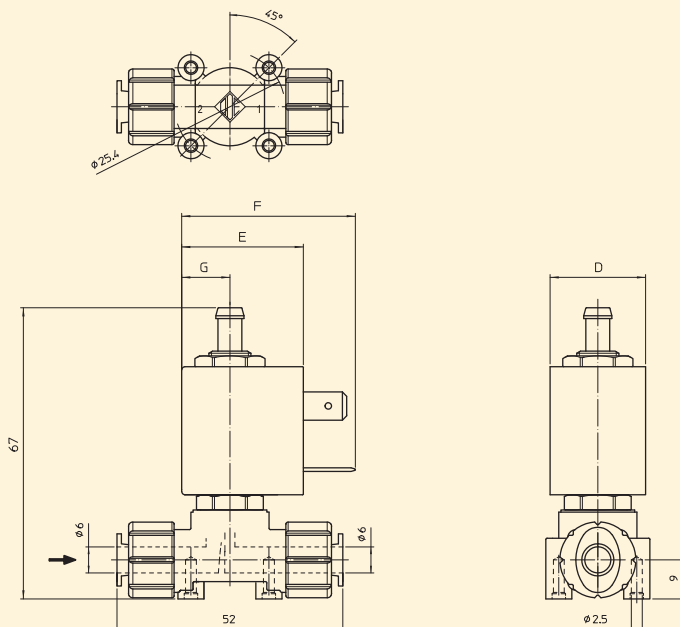
Electrical conformity	IEC 335
Protection degree	IP 65 EN 60529 (DIN 40050) with coil fitted by connector.

SPARE PARTS:

- Coil:**
See coils list



DIMENSIONS:



COIL TYPE	POWER ABSORPTION			DIMENSIONS			
	W =	Hold VA ~	Inrush VA ~	D mm	E mm	F mm	G mm
L	5	10	15	22	27,5	39,5	11