



**Solenoid valve 3/2 way N.C.**  
**Direct acting - Hose connection exhaust**  
**NSF Certified**

**31JP5XP1V12-ST0**  
 ÷  
**31JP5XP1V23-T0**

**PRESENTATION:**

Direct acting S.V. for interception of fluids compatible with the construction materials.  
 Minimum operational pressure is not required.  
 The materials used and the tests carried out ensure maximum reliability and duration.

**USE:** Vending

**PIPES:** Push-in Ø 4

**COIL:**  
 5W - Ø 10  
 LBA 155°C (class F)  
 LBF - LBV 180°C (class H)

**COIL HOUSING AND COIL FORMER MATERIAL ARE MADE BY 100% VIRGIN MATERIAL.**

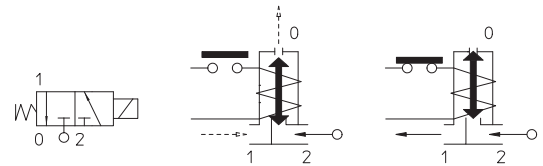
Max. allowable pressure (PS) 16 bar

Ambient temperature:

See coils catalogue page for its compatibility.



Gaskets	Temperature		Medium
V=FKM (fluoroelastomer)	- 10°C	+ 140°C	Air, water, steam



Pipe	Code	Max viscosity		Ø mm	Kv l/mn	Power watt	Pressure		
		cSt	°E				min bar	M.O.P.D. AC bar DC bar	
P.I. Ø 4	31JP5XP1V12-ST0	12	~ 2	1,2*	0,75	5	0	15	15
	31JP5XP1V12-T0								-
	31JP5XP1V23-ST0	53	~ 7	2,3*	2,1			5	5
	31JP5XP1V23-T0								-



**Note**

\*3rd way exhaust= Ø 1,7 mm | Max torque coil nut assembly 2 Nm, armature tube 3 Nm | For tubes: PA and PTFE | Verify tubes for pressure characteristics and operating temperatures | Available with coil Ex nA | For application with steam, please consult our Technical Service | Available on request and with minimum quantities.

The "ODE" reserves the right to carry out technical and aesthetic modifications without prior notice.

**MATERIALS:**

<b>Body</b>	PPS
<b>Armature tube</b>	Stainless steel AISI series 300
<b>Fixed core</b>	Stainless steel AISI series 400
<b>Plunger</b>	Stainless steel AISI series 400
<b>Phase displacement ring</b>	Gold plated copper
<b>Spring</b>	Stainless steel AISI series 300
<b>Seal</b>	V=FKM
<b>Orifice</b>	PPS
<b>OR Pipe</b>	EPDM

**On request:**

<b>Connector</b>	Pg 9 or Pg 11
<b>Connector conformity</b>	ISO 4400

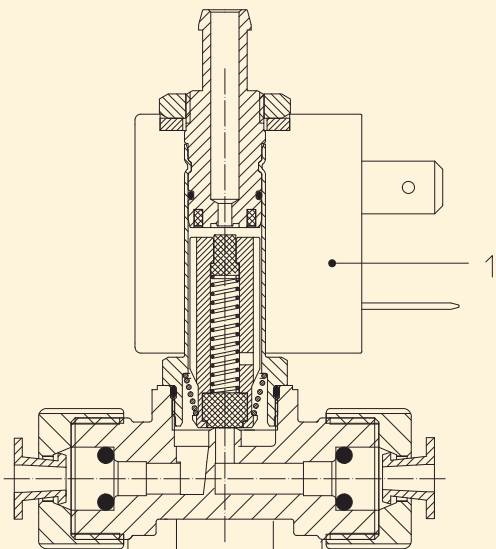
**FEATURES:**

<b>Electrical conformity</b>	IEC 335
<b>Protection degree</b>	IP 65 EN 60529 (DIN 40050) with coil fitted by connector.

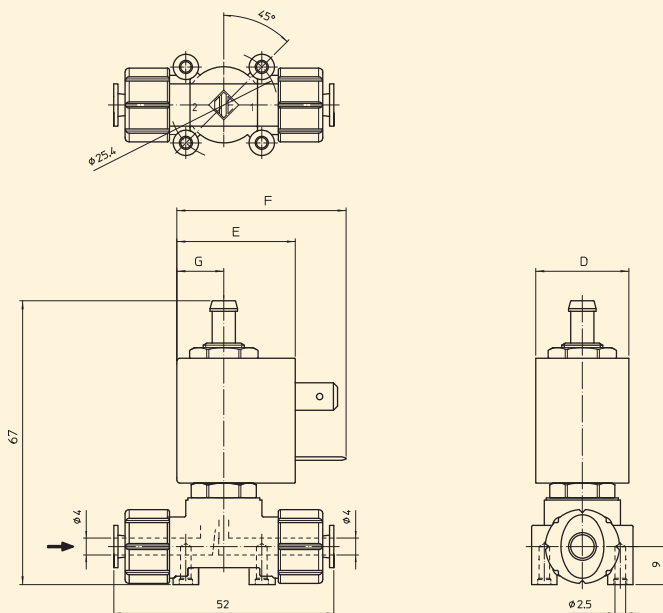
**SPARE PARTS:**

**1. Coil:**

See coils list



**DIMENSIONS:**



COIL TYPE	POWER ABSORPTION			DIMENSIONS			
	W =	Hold VA ~	Inrush VA ~	D mm	E mm	F mm	G mm
L	5	10	15	22	27,5	39,5	11