



Solenoid valve 2/2 way N.C. With pilot control

21WN3R0B130

÷

21WN4R0B130

PRESENTATION:

S.V. with pilot control for interception of fluids compatible with the construction materials.

A minimum operational pressure of 0,2 bar is required.

The materials used and the tests carried out ensure maximum reliability and duration.

USE: Automation
Heating

PIPES: 3/8 NPT - 1/2 NPT

COILS: 5W - Ø 10
LBA 155°C (class F)
LBF - LBV 180°C (class H)

COIL HOUSING AND COIL FORMER MATERIAL ARE MADE BY 100% VIRGIN MATERIAL.

Max. allowable pressure (PS) 20 bar

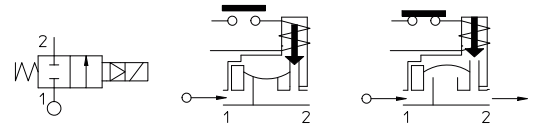
Ambient temperature:

See coils catalogue page for its compatibility.



Gaskets	Temperature		Medium
B =NBR (nitrile rubber)	- 10°C	+ 90°C	Air, inert gas, water
E =EPDM (ethylene-propylene)	- 10°C	+140°C	Water, low pressure steam
V =FKM (fluoroelastomer)	- 10°C	+140°C	Mineral oils (2°E), gasoline gas oil

For seals other than NBR replace the letter "B" with the ones corresponding to the other seals. E.I. 21WN3R0V130.

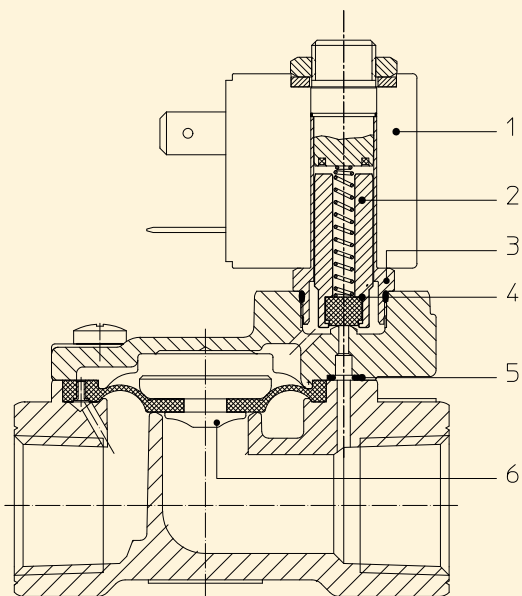


Pipe ANSI/ASME BI.20.1	Code	Max viscosity		Ø mm	Kv l/mn	Power watt	Pressure		
		cSt	°E				min bar	M.O.P.D.	
								AC bar	DC bar
3/8 NPT	21WN3R0B130	12	~ 2	13	60	5	0,2	16	16
1/2 NPT	21WN4R0B130				70				

Note

Available on request and with minimum quantities.

The "ODE" reserves the right to carry out technical and aesthetic modifications without prior notice.



MATERIALS:

Body	Brass - UNI EN 12165 CW617N
Armature tube	Stainless steel AISI series 300
Fixed core	Stainless steel AISI series 400
Plunger	Stainless steel AISI series 400
Phase displacement ring	Copper - Cu 99,9%
Spring	Stainless steel AISI series 300
Seal	Standard: B=NBR On request: E=EPDM V=FKM
Orifice	Brass - UNI EN 12165 CW617N

On request:	Pg 9 or Pg 11
Connector	ISO 4400
Connector conformity	

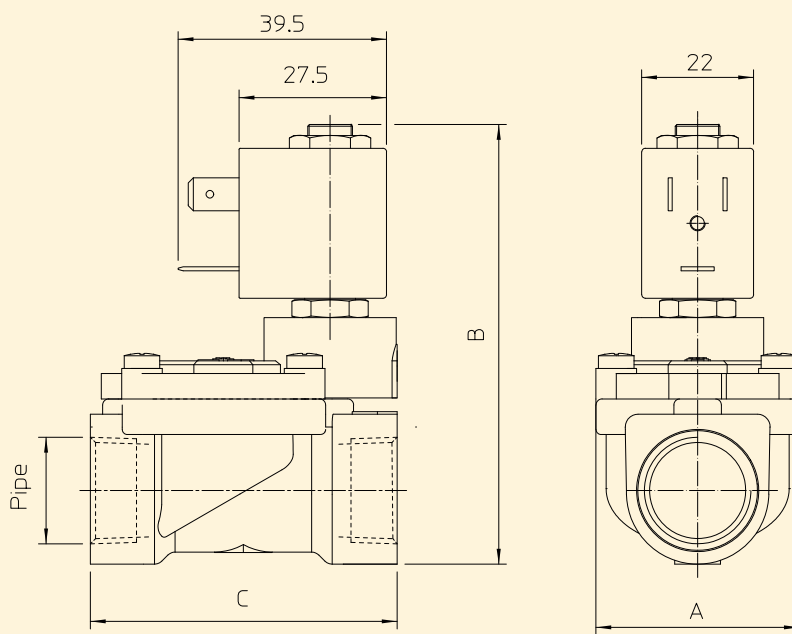
FEATURES:

Electrical conformity	IEC 335
Protection degree	IP 65 EN 60529 (DIN 40050) with coil fitted by connector.

SPARE PARTS:

1. Coil:	See coils list	KIT:	KT100R0B25-FJ= 2+3+4
2. Complete plunger:	Code R453740/B	MAINTENANCE KIT:	
3. Complete armature tube:	Code R452062	KTGWA3R0B13= 2+5+6	
4. Gasket O-Ring:	Code R990300/B		
5. Gasket O-Ring:	Code R990597/B		
6. Complete diaphragm:	Code R452186/B		

DIMENSIONS:



Type	Pipe	A mm	B mm	C mm
21WN3R0B130	3/8 NPT	40	84,5	60
21WN4R0B130	1/2 NPT			66

COIL TYPE	POWER ABSORPTION		
	W	Hold VA ~	Inrush VA ~
L	5	10	15