



Solenoid valve 2/2 way N.O. Direct acting - dampness-proof IP 67

21A1ZT11D-GB

PRESENTATION:

Direct acting S.V. for interception of fluids compatible with the construction materials.

Minimum operational pressure is not required.

The materials used and the tests carried out ensure maximum reliability and duration.

USE: Automation
Heating

PIPES: subplate mounting

COIL: 8W - Ø 13
BDV 180°C (class H)

COIL HOUSING AND COIL FORMER MATERIAL ARE MADE BY 100% VIRGIN MATERIAL.

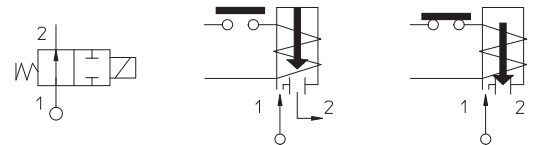
Max. allowable pressure ((PS) 100 bar

Ambient temperature:

See coils catalogue page for its compatibility.



| Gaskets | Temperature | | Medium |
|-----------------------------------|-------------|--------|--|
| | - 40°C | +180°C | |
| T=PTFE (polytetrafluorethylen) | | | Air, water, steam, Mineral oils (2°E) |



| Pipe | Code | Max viscosity | | Ø mm | Kv l/mn | Power watt | Pressure | | |
|----------------------|--------------|---------------|-----|---------|------------|---------------|------------|----------|--------|
| | | cSt | °E | | | | min bar | M.O.P.D. | |
| | | | | | | | | AC bar | DC bar |
| SUBPLATE MOUNTING | 21A1ZT11D-GB | 12 | ~ 2 | 1,1 | 0,7 | 8 | 0 | 90 | 90 |

Note

For dampness-proof cup see catalogue page R453882/B+R453882/U | Available on request and with minimum quantities.

The "ODE" reserves the right to carry out technical and aesthetic modifications without prior notice.

MATERIALS:

| | |
|--------------------------------|---------------------------------|
| Body | Brass - UNI EN 12165 CW617N |
| Armature tube | Stainless steel AISI series 400 |
| Fixed core | Stainless steel AISI series 400 |
| Plunger | Stainless steel AISI series 400 |
| Phase displacement ring | Copper - Cu 99,9% |
| Spring | Stainless steel AISI series 300 |
| Seal | T=PTFE |
| Orifice: Insert slot | Stainless steel AISI series 300 |

On request:

| | |
|-----------------------------|---------------|
| Connector | Pg 9 or Pg 11 |
| Connector conformity | ISO 4400 |

FEATURES:

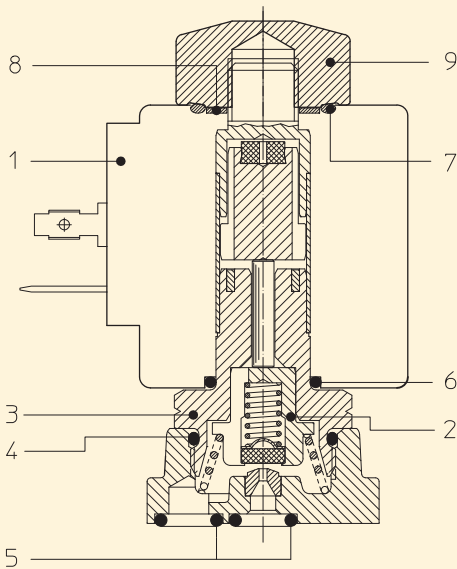
| | |
|------------------------------|---|
| Electrical conformity | IEC 335 |
| Protection degree | IP 67 EN 60529 (DIN 40050) with coil fitted by connector dedicated |

SPARE PARTS:

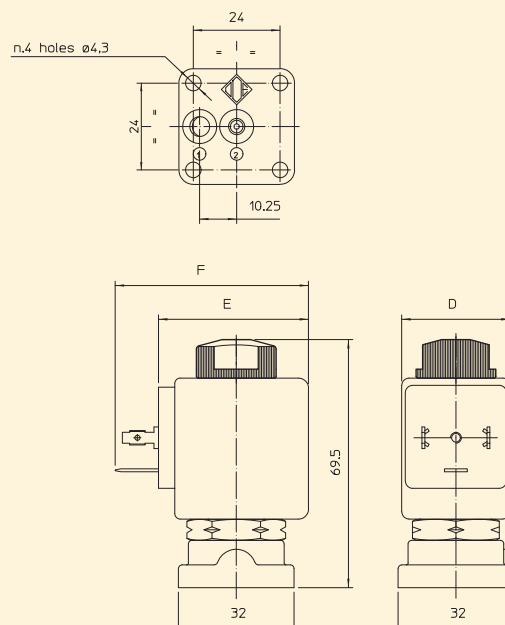
- Coil:**
See coils list
- Complete diaphragm support:**
Code R450790
- Complete armature tube without gasket:**
Code R450573
- Gasket O-Ring:**
Code R990000/T
- Gasket O-Ring:**
Code R990002/S

KIT:

KT130ZT30-FGB=**2+3+4+6+7+8+9**



DIMENSIONS:



| COIL TYPE | POWER ABSORPTION | | | DIMENSIONS | | |
|-----------|------------------|--------------|----------------|------------|---------|---------|
| | W --- | Hold VA ~ | Inrush VA ~ | D mm | E mm | F mm |
| B | 8 | 14,5 | 25 | 30 | 42 | 54 |