



# Solenoid valve 2/2 way N.C. Direct acting - dampness-proof IP 67

21A1K0712-X024

÷

21A1K0730-X024

## PRESENTATION:

Direct acting S.V. for interception of fluids compatible with the construction materials.

Minimum operational pressure is not required.

The materials used and the tests carried out ensure maximum reliability and duration.

**USE:** Automation  
Heating

**PIPES:** subplate mounting

**COIL:** 12W - Ø 13  
UDV 180°C (class H)

**COIL HOUSING AND COIL FORMER MATERIAL ARE MADE BY 100% VIRGIN MATERIAL.**

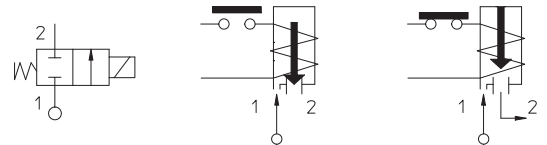
Max. allowable pressure (PS) 130 bar

Ambient temperature:

See coils catalogue page for its compatibility.



Gaskets	Temperature		Medium
	-40°C	+180°C	
T=PTFE (polytetrafluorethylen)			Air, water, steam, Mineral oils (2°E)



Safety factor for industrial application equal to 3 times PS

Pipe	Code	Max viscosity		Ø mm	Kv l/mn	Power watt	Pressure		
		cSt	°E				min bar	M.O.P.D.	
								AC bar	DC bar
SUBPLATE MOUNTING	21A1K0712-X024	12	~ 2	1,2	1	12	0	100	100
	21A1K0715-X024			1,5					
	21A1K0730-X024	53	~ 7	3				27	16

## Note

For dampness-proof cup see catalogue page R453882/B+R453882/U | Available on request and with minimum quantities.

The "ODE" reserves the right to carry out technical and aesthetic modifications without prior notice.

## MATERIALS:

<b>Body</b>	Brass - UNI EN 12165 CW617N
<b>Armature tube</b>	Stainless steel AISI series 300
<b>Fixed core</b>	Stainless steel AISI series 400
<b>Plunger</b>	Stainless steel AISI seriea 400
<b>Phase displacement ring</b>	Copper - Cu 99,9%
<b>Spring</b>	Stainless steel AISI series 300
<b>Main seal</b>	T=PTFE
<b>Orificie: Insert slot</b>	Stainless steel AISI series 300

## On request:

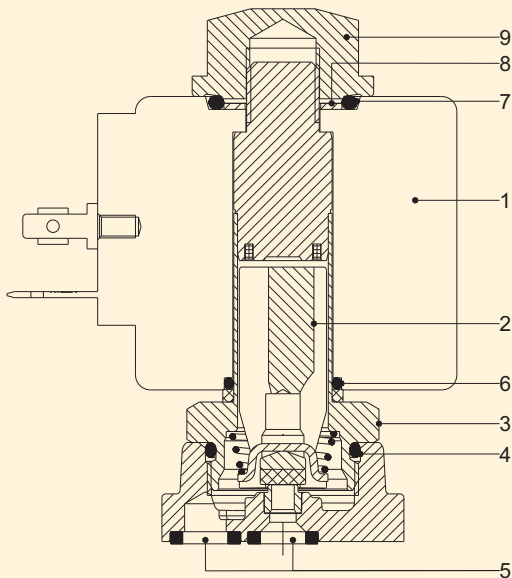
<b>Connector</b>	Pg 9 o Pg 11
<b>Connector conformity</b>	ISO 4400

## FEATURES:

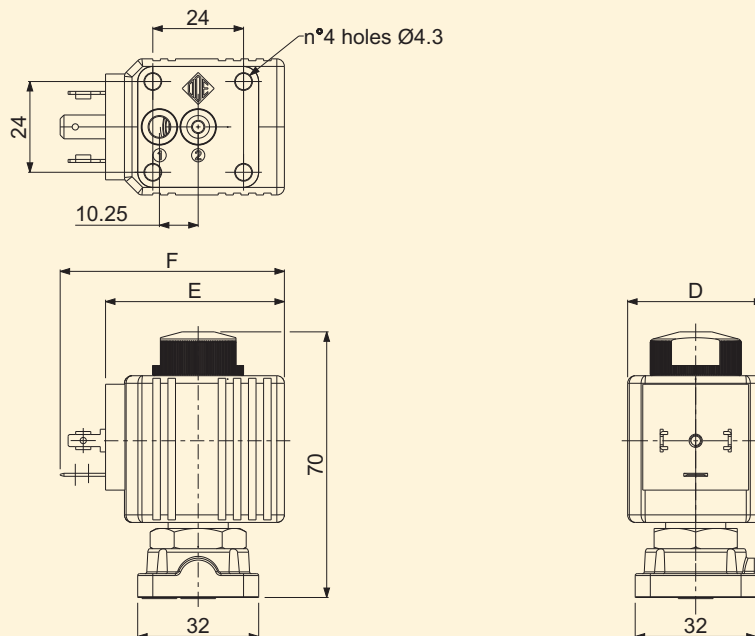
<b>Electrical conformity</b>	IEC 335
<b>Protection degree</b>	IP 67 EN 60529 (DIN 40050) with coil fitted by connector dedicated.

## SPARE PARTS:

<b>1. Coil:</b>	<b>KIT:</b>
See coils list	12W
<b>2. Complete plunger:</b>	KT130K0730-TPGU =2+3+4+5+6+7+8
Code R450897	
<b>3. Complete armature tube:</b>	
Code R450603	
<b>4. Gasket O-Ring:</b>	
Code R990000/F	
<b>5. Gasket O-Ring:</b>	
Code R450894	



## DIMENSIONS:



COIL TYPE	POWER ABSORPTION			DIMENSIONS		
	W =	Hold VA ~	Inrush VA ~	D mm	E mm	F mm
U	12	23	35	36	48	60