



# Solenoid valve 5/2 way Servocontrolled Explosion proof - Atex Ex d

515620EIB15-N2

## PRESENTATION:

Servocontrolled S.V. for interception of fluids compatible with the construction materials. Aluminium coil housing, explosion proof "Ex d". Electrical and electromechanical components according to Atex Directive 2014/34/EU.

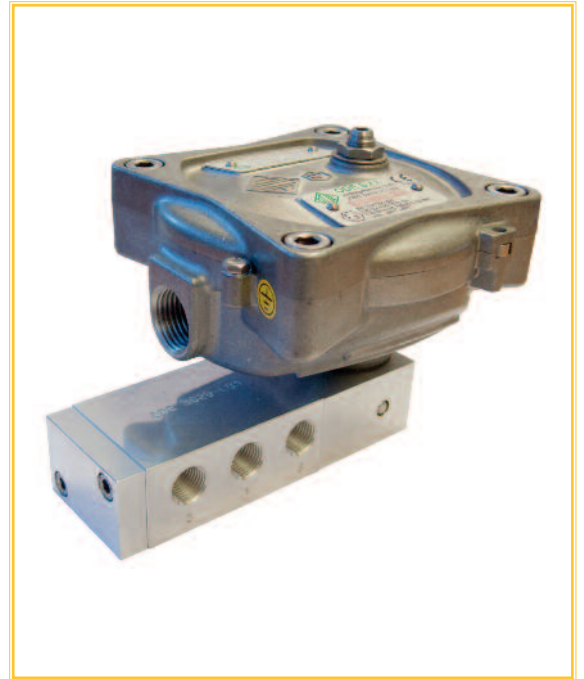
A minimum operational pressure of 1,3 bar is required. The materials used and the tests carried out ensure maximum reliability and duration.

**USE:** Potentially explosive atmospheres  
Zone 1, 2, 21, 22

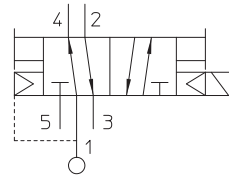
**PIPES:** 1/4 NPT

**COILS:** 8W - Ø 13  
BDV 180°C (class H)

Max. allowable pressure (PS) 10 bar  
Housing ambient temperature - 40°C + 60°C



Gaskets	Temperature		Medium
B=NBR (nitrile rubber)	- 10°C	+ 80°C	Lubricated air



2 POSITIONS  
PNEUMATIC RETURN

Pipe ANSI/ASME BI.20.1	Code	Max viscosity		Ø mm	Kv l/mn	Power watt	Pressure		
		cSt	°E				min bar	M.O.P.D.	
								AC bar	DC bar
1/4 NPT	515620EIB15-N2	-	-	6	6,5	8	1,3	10	10



(According to Directive 2014/34/EU ATEX )  
II 2G Ex d IIC T6 or T5 Gb  
II 2D Ex tb IIIC T80°C or T95°C Db IP67

## Note

Available on request and with minimum quantities.

The "ODE" reserves the right to carry out technical and aesthetic modifications without prior notification.

### MATERIALS:

<b>Body</b>	Passivated Aluminium
<b>Armature tube</b>	Stainless steel AISI series 300
<b>Fixed core</b>	Stainless steel AISI series 400
<b>Plunger</b>	Stainless steel AISI series 400
<b>Phase displacement ring</b>	Copper - Cu 99,9%
<b>Spring</b>	Stainless steel AISI series 300
<b>Seal</b>	B=NBR
<b>Orifice</b>	Aluminium
<b>Coil housing:</b>	Die cast and passivated Aluminium

**Connector conformity** ISO 4400

### FEATURES:

<b>Electrical conformity</b>	IEC 335
<b>Protection degree</b>	IP 67 EN 60529 (DIN 40050) if installed with cable gland Atex Ex d IP67 or higher.

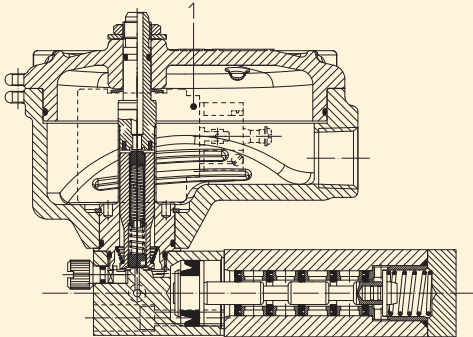
### SPARE PARTS:

#### 1. Coil:

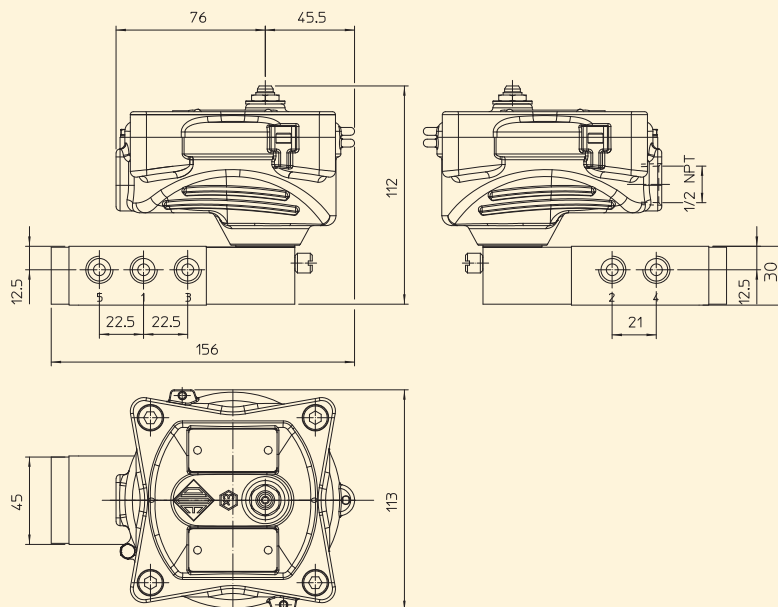
See coils list for  
Solenoid valves explosion  
proof Atex - Ex d

### ACCESSORIES:

Code P992219 Cable Gland  
(to be ordered separately)



### DIMENSIONS:



COIL TYPE	POWER ABSORPTION		
	W =	Hold VA ~	Inrush VA ~
B	8	14,5	25