



Solenoid valve 5/2 way Servocontrolled Explosion proof - Atex Ex d

515620EIB15-2

PRESENTATION:

Servocontrolled S.V. for interception of fluids compatible with the construction materials. Aluminium coil housing, explosion proof "Ex d". Electrical and electromechanical components according to Atex Directive 2014/34/EU.

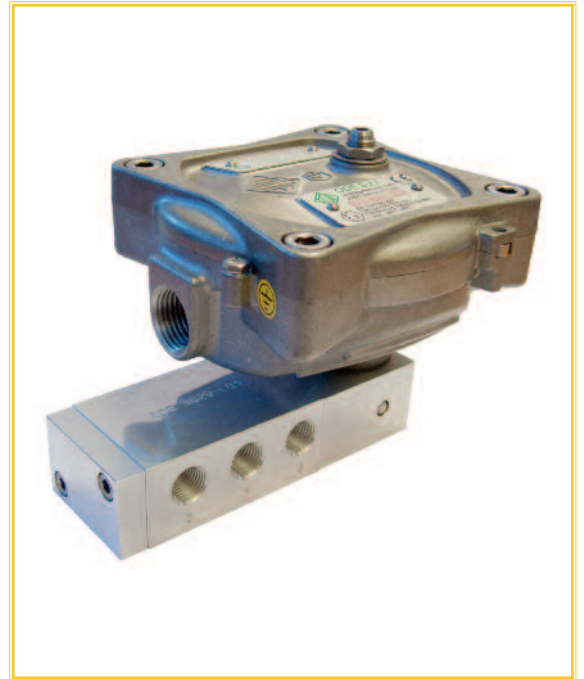
A minimum operational pressure of 1,3 bar is required. The materials used and the tests carried out ensure maximum reliability and duration.

USE: Potentially explosive atmospheres
Zone 1, 2, 21, 22

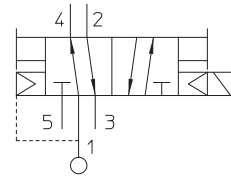
PIPES: G 1/4

COILS: 8W - Ø 13
BDV 180°C (class H)

Max. allowable pressure (PS) 10 bar
Housing ambient temperature - 40°C + 60°C



Gaskets	Temperature		Medium
B=NBR (nitrile rubber)	- 10°C	+ 80°C	Lubricated air



2 POSITIONS
PNEUMATIC RETURN

Pipe	Code	Max viscosity		Ø mm	Kv l/mn	Power watt	Pressure		
		cSt	°E				min bar	M.O.P.D.	
								AC bar	DC bar
G 1/4	515620EIB15-2	-	-	6	6,5	8	1,3	10	10



(According to Directive 2014/34/EU ATEX)
II 2G Ex d IIC T6 or T5 Gb
II 2D Ex tb IIIC T80°C or T95°C Db IP67

Note

Available on request and with minimum quantities.

The "ODE" reserves the right to carry out technical and aesthetic modifications without prior notice..

MATERIALS:

Body	Passivated Aluminium
Armature tube	Stainless steel AISI series 300
Fixed core	Stainless steel AISI series 400
Plunger	Stainless steel AISI series 400
Phase displacement ring	Copper - Cu 99,9%
Spring	Stainless steel AISI series 300
Seal	B=NBR
Orifice	Aluminium
Coil housing:	Die cast and passivated Aluminium

Connector conformity ISO 4400

FEATURES:

Electrical conformity	IEC 335
Protection degree	IP 67 EN 60529 (DIN 40050) if installed with cable gland Atex Ex d IP67 or higher.

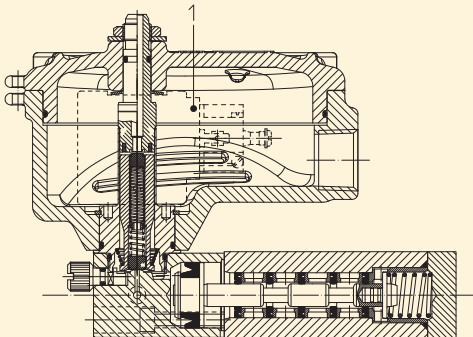
SPARE PARTS:

1. Coil:

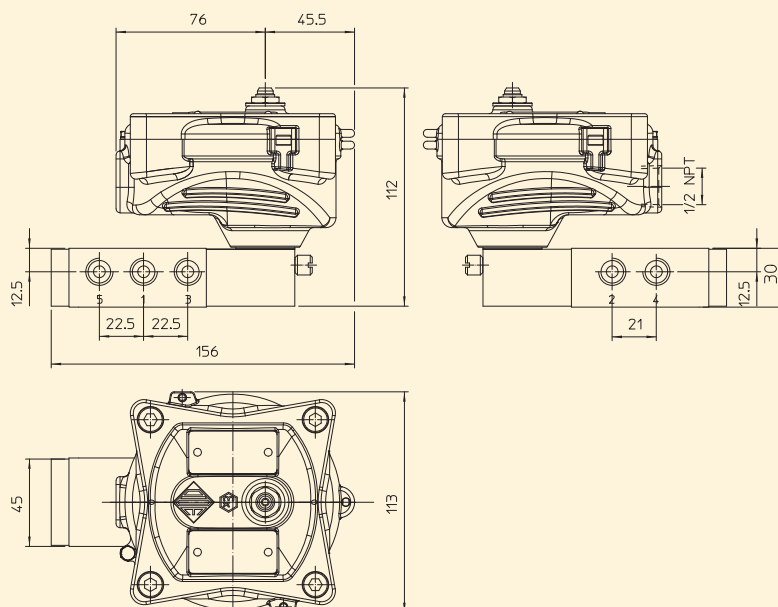
See coils list for
Solenoid valves explosion
proof Atex - Ex d

ACCESSORIES:

Code P992219 Cable Gland
(to be ordered separately)



DIMENSIONS:



COIL TYPE	POWER ABSORPTION		
	W =	Hold VA ~	Inrush VA ~
B	8	14,5	25