



Solenoid piston valve 2/2 way N.O. pilot control

4966Z0Q120D

PRESENTATION:

S.V. with pilot control for interception of fluids compatible of air and water.

A minimum operational pressure of 3 bar is required.

The materials used and the tests carried out ensure maximum reliability and duration.

USE: Automation

PIPES: G 1/2

COIL: 8W - Ø 13
 BDA - BSA 155°C (class F)
 BDV 180°C (class H)
 12W - Ø 13
 UDA 155°C (classe F)
 UDV 180°C (classe H)

COIL HOUSING AND COIL FORMER MATERIAL ARE MADE BY 100% VIRGIN MATERIAL.

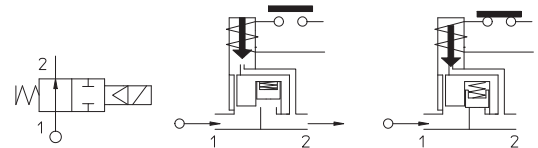
Max. allowable pressure (PS) 80 bar

Ambient temperature:

See coils catalogue page for its compatibility.



Gaskets	Temperature		Medium
Q=PBT Glassfiber reinforced (Polibutilenterftalato)	-20°C	+95°C	Air, water



Pipe ISO 228/1	Code	Max viscosity		Ø mm	Kv l/mn	Power watt	Pressure		
		cSt	°E				min bar	M.O.P.D.	
								AC bar	DC bar
G 1/2	4966Z0Q120D	12	~ 2	12	60	8 12	3	50	50

Note.

Available on request and with minimum quantities.

The "ODE" reserves the right to carry out technical and aesthetic modifications without prior notice.

MATERIALS:

Body	Brass - UNI EN 12164 CW614N
Armature tube	Stainless steel AISI series 300
Fixed core	Stainless steel AISI series 400
Plunger	Stainless steel AISI seriea 400
Phase displacement ring	Copper - Cu 99,9%
Spring	Stainless steel AISI series 300
Piston Seal	PTFE modified
Main seal	Q=PBT
Orificie	Brass - UNI EN 12164 CW614N

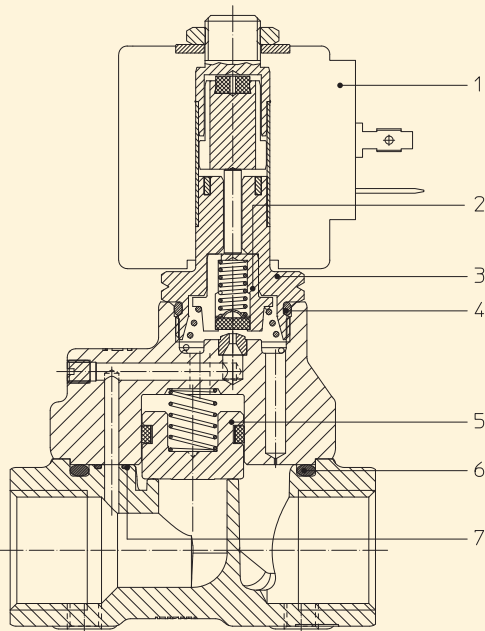
On request:

Connector	Pg 9 o Pg 11
Connector conformity	ISO 4400

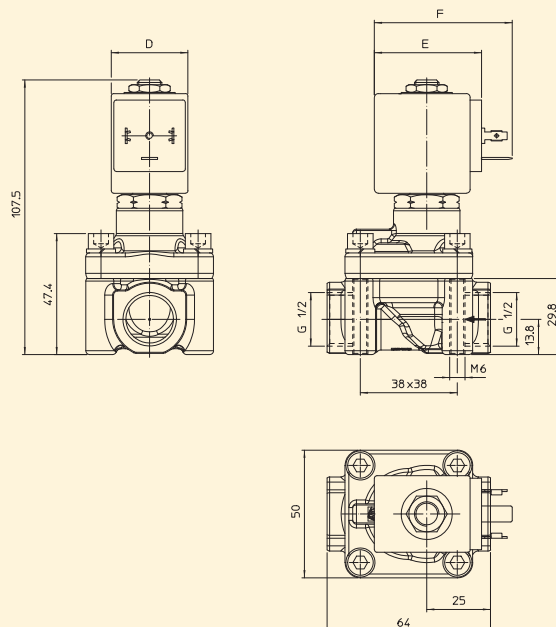
Electrical conformity	IEC 335
Protection degree	IP 65 EN 60529 (DIN 40050) with coil fitted by connector.

SPARE PARTS:

- | | |
|------------------------------------------------------------------|--------------------------------------------------|
| 1. Coil:
See coils list | 6. Gasket O-Ring:
Code R992130/B |
| 2. Complete diaphragm support:
Code R450790 | 7. Gasket O-Ring:
Code R990382/B |
| 3. Complete armature tube without gasket:
Code R450573 | KIT:
KT130ZT30-F=2+3+4 |
| 4. Gasket O-Ring:
Code R990000/T | MAINTENANCE KIT:
KTP4966Z0Q12= 2+5+6+7 |
| 5. Complete piston:
Code R452744 | |



DIMENSIONS:



COIL TYPE	POWER ABSORPTION			DIMENSIONS		
	W =	Hold VA ~	Inrush VA ~	D mm	E mm	F mm
B	8	14,5	25	30	42	54
U	12	23	35	36	48	60