



# Solenoid valve 2/2 way N.C. With pilot control - Latching coils

21WA3K0V130-DZ  
21WA4K0B130-DZ  
Latching coils

## PRESENTATION:

S.V. with pilot control for interception of fluids compatible with the construction materials.

Opening is obtained by a 50 msec pulse, and closing by another 50 msec pulse, with reversed polarity.

A minimum operational pressure of 0,2 bar is required.

The materials used and the tests carried out ensure maximum reliability and duration.

**USE:** Automation  
Heating

**PIPES:** G 3/8 - G 1/2

**COILS:** BDA2X006LS 155°C(class F)  
BDA2X009LS 155°C(class F)  
BDA2X012LS 155°C(class F)  
BDA05024LS 155°C(class F)

**COIL HOUSING AND COIL FORMER MATERIAL ARE  
MADE BY 100% VIRGIN MATERIAL.**

Max. allowable pressure (PS) 20 bar

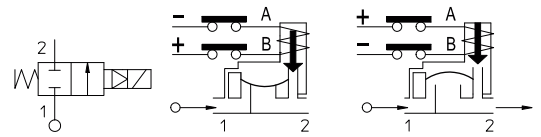
Ambient temperature:

See coils catalogue page for its compatibility.



Gaskets	Temperature	Medium
<b>B</b> =NBR (nitrile rubber)	- 10°C + 90°C	Air, inert gas, water
<b>E</b> =EPDM (ethylene-propylene)	- 10°C + 140°C	Water, steam
<b>V</b> = FKM (fluoroelastomer)	- 10°C + 140°C	Mineral oils (2°E), gasoline gas oil

For seals other than NBR replace the letter "V" with the ones corresponding to the other seals. E.I. 21WA3K0**B**130-DZ.



Pipe ISO 228/1	Code	Coils code	Voltages VDC	Max viscosity		Ø mm	Kv l/mn	Power watt	Pressure	
				cSt	°E				min bar	M.O.P.D. DC bar
G 3/8	21WA3K0V130-DZ	BDA2X006LS	6	12	~ 2	13	60	2,5	0,2	16
		BDA2X009LS	9							
		BDA2X012LS	12							
		BDA05024LS	24							
G 1/2	21WA4K0V130-DZ	BDA2X006LS	6	12	~ 2	13	70	2,5	0,2	16
		BDA2X009LS	9							
		BDA2X012LS	12							
		BDA05024LS	24							

## Note

Available on request and with minimum quantities.

The "ODE" reserves the right to carry out technical and aesthetic modifications without prior notice.

### MATERIALS:

<b>Body</b>	Brass - CW625N
<b>Armature tube</b>	Stainless steel AISI series 300
<b>Fixed core</b>	Stainless steel AISI series 400
<b>Plunger</b>	Stainless steel AISI series 400
<b>Phase displacement ring</b>	Copper - Cu 99,9%
<b>Spring</b>	Stainless steel AISI series 300
<b>Shutter</b>	Standard V=FKM On request: B=NBR
<b>Orifice</b>	Brass - CW625N

**On request:**  
**Connector** Pg 9 or Pg 11  
**Connector conformity** ISO 4400

### FEATURES:

<b>Electrical conformity</b>	IEC 335
<b>Protection degree</b>	IP 65 EN 60529 (DIN 40050) with coil fitted by connector.

### SPARE PARTS:

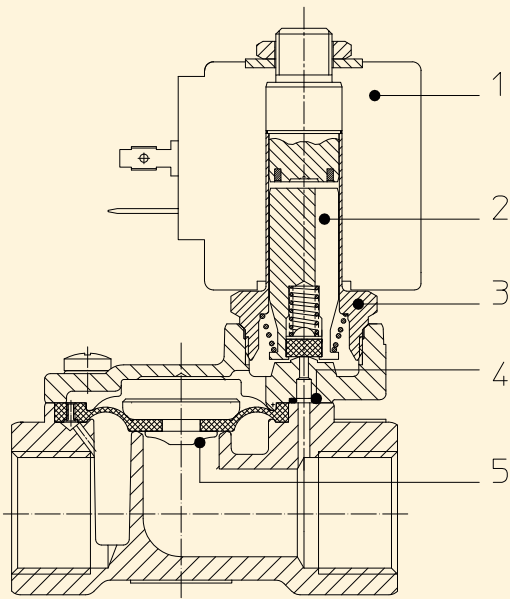
- |  |  |
|--|--|
| <p><b>1. Coil:</b><br/>         BDA2X006LS<br/>         BDA2X009LS<br/>         BDA2X012LS<br/>         BDA05024LS</p> <p><b>2. Complete plunger:</b><br/>         Code R450898/V</p> <p><b>3. Complete armature tube:</b><br/>         Code R450606</p> <p><b>4. Gasket O-Ring:</b><br/>         Code R990300/V</p> | <p><b>5. Complete diaphragm:</b><br/>         Code R452186/V/A</p> |
|--|--|

### KIT:

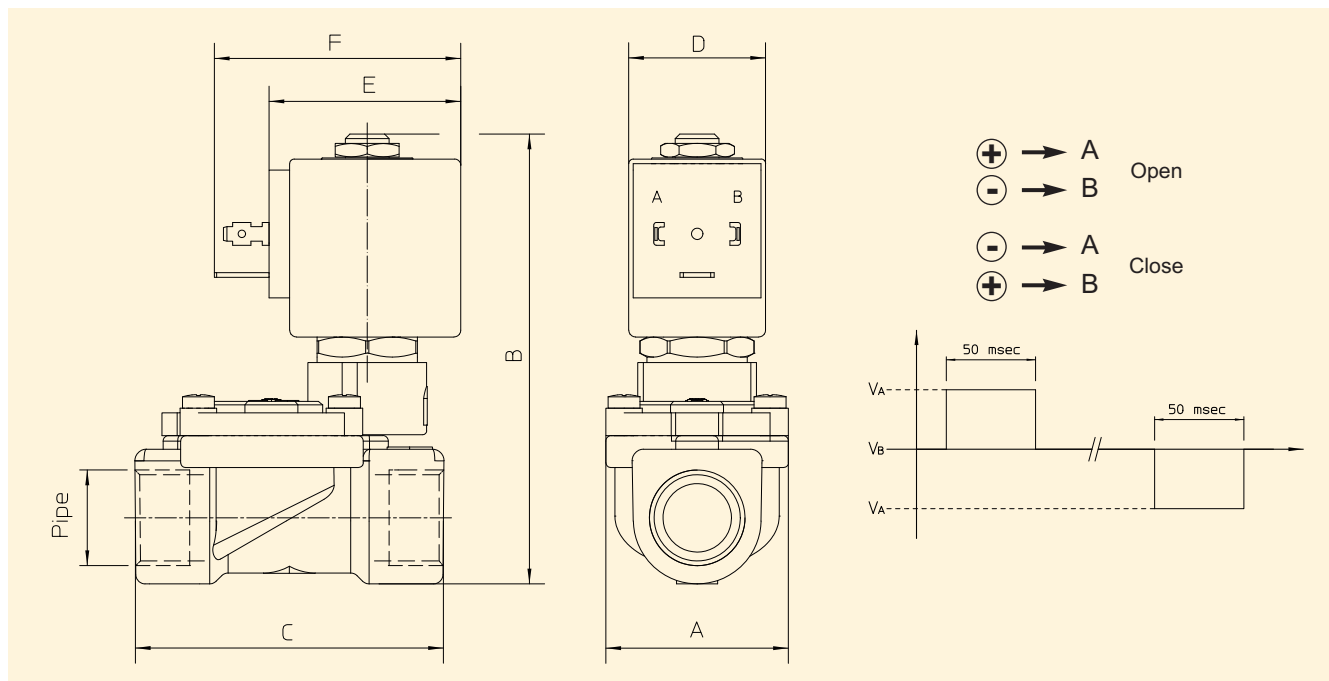
KT130KV55-A=2+3

### MAINTENANCE KIT:

KTGWA3K0V13=2+4+5



### DIMENSIONS:



Type	Pipe ISO 228/1	A mm	B mm	C mm
21WA3K0V130-DZ	G 3/8	40	97	60
21WA4K0V130-DZ	G 1/2			66