



Solenoid valve 2/2 way N.O. With pilot control - NSF 61 Certified

21W3Z1E190-T5
÷
21W4Z1E250-T5

PRESENTATION:

S.V. with pilot control for interception of fluids compatible with the construction materials.

A minimum operational pressure of 0,2 bar is required.

The materials used and the tests carried out ensure maximum reliability and duration.

USE: Automation
Heating

PIPES: G 3/4 - G 1

COIL: 8W - Ø 13
BDA - BSA 155°C (class F)
BDV 180°C (class H)

**INCAPSULAMENTO E ROCCHETTO SONO REALIZZATI
CON MATERIALE VERGINE AL 100%.**

Max. allowable pressure (PS) 23 bar

Allowable temperature 82°C

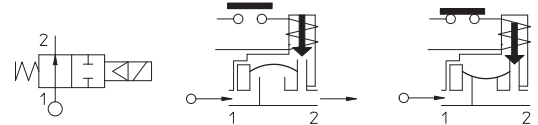
Ambient temperature:

See coils catalogue page for its compatibility.



Gaskets	Temperature		Medium
E =EPDM (ethylene-propylene)	- 10°C	+ 140°C	Water
V =FKM (fluoroelastomer)	- 10°C	+ 140°C	Mineral oils (2°E), gasoline gas oil

For seals other than EPDM replace the letter "E" with the ones corresponding to the other seals. E.I. 21W3ZIV190-T5.



Pipe ISO 228/1	Code	Max viscosity		Ø mm	Kv l/mn	Power watt	Pressure		
		cSt	°E				min bar	M.O.P.D. AC bar DC bar	
G 3/4	21W3Z1E190-T5	12	~ 2	19	140	8	0,2	16	16
G 1	21W4Z1E250-T5			25					



Certified to
NSF/ANSI 61-G

Note

Available on request and with minimum quantities.

The "ODE" reserves the right to carry out technical and aesthetic modifications without prior notice.

MATERIALS:

Body	Low Lead Brass
Armature tube	Stainless steel AISI series 300
Fixed core	Stainless steel AISI series 400
Plunger	Stainless steel AISI series 400
Phase displacement ring	Gold plated copper
Spring	Stainless steel AISI series 300
Seal	Standard: E=EPDM On request: F=FKM
Orifice	Low Lead Brass

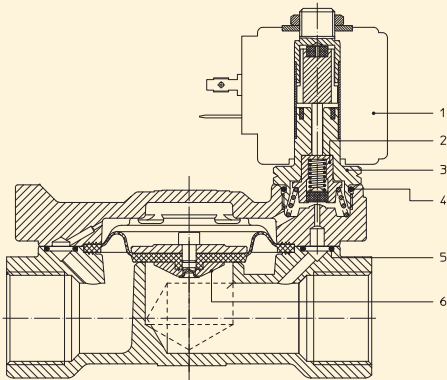
On request:	Pg 9 or Pg 11
Connector	ISO 4400
Connector conformity	

FEATURES:

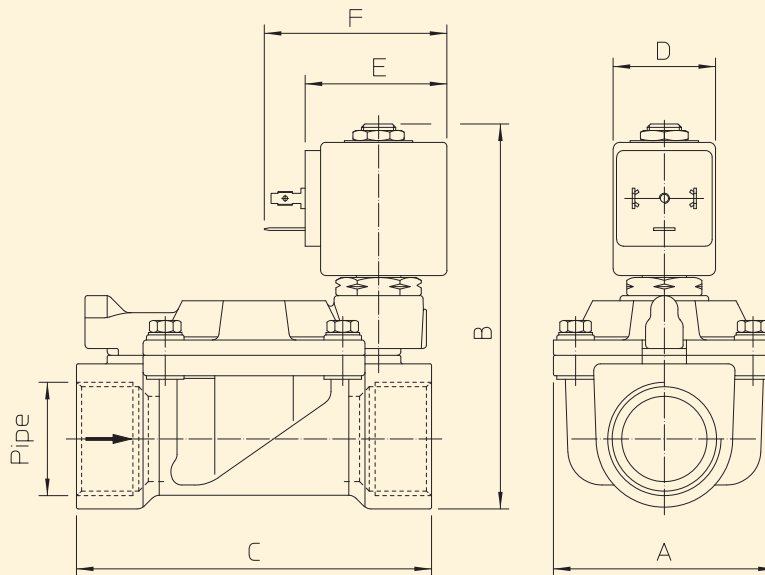
Electrical conformity	IEC 335
Protection degree	IP 65 EN 60529 (DIN 40050) with coil fitted by connector

SPARE PARTS:

- Coil:**
See coils list
- Complete diaphragm support:**
Code R450788/EX1
- Complete armature tube without gasket:**
Code R450573/D
- Gasket O-Ring:**
Code R990000/EX1
- Gasket O-Ring:**
Code R990002/EX1
- Complete diaphragm:**
Code R450431/EX1/P



DIMENSIONS:



Type	Pipe ISO 228/1	A mm	B mm	C mm
21W3Z1E190-T5	G 3/4	65	128	104
21W4Z1E250-T5	G 1		113	

COIL TYPE	POWER ABSORPTION			DIMENSIONS		
	W ---	Hold VA ~	Inrush VA ~	D mm	E mm	F mm
B	8	14,5	25	30	42	54