



Solenoid valve 2/2 way N.C. Combined operation Explosion proof - Atex Ex d

21HT3KIV110

÷

21HT6KIV250

PRESENTATION:

Combined operation S.V. for interception of fluids compatible with the construction materials. Aluminium coil housing, explosion proof "Ex d". Electrical and electromechanical components according to Atex Directive 2014/34/EU. Minimum operational pressure is not required. The materials used and the tests carried out ensure maximum reliability and duration.

USE: Potentially explosive atmospheres
Zone 1, 2, 21, 22

PIPES: G 3/8 - G 1

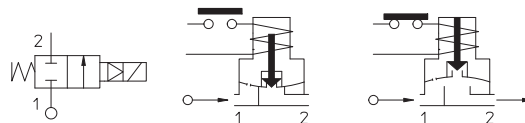
COIL: 8W - Ø 13
BDV 180°C (class H)

Max. allowable pressure (PS) 16 bar
Housing ambient temperature - 40°C + 60°C



Gaskets	Temperature		Medium
V =FKM+ PA (fluorelastomer+poliamiyde)	- 10°C	+80°C	Mineral oils (2°E),gasoline gas oil
B =NBR (nitrile rubber)	- 10°C	+ 80°C	Air, inert gas, water

For seals other than FKM replace the letter "V" with the ones corresponding to the other seals. 21HT3KIB110.



Pipe ISO 228/1	Code	Max viscosity		Ø mm	Kv l/mn	Power watt	Pressure		
		cSt	°E				min bar	M.O.P.D AC bar DC bar	
G 3/8	21HT3KIV110	12	~ 2	11	20	8	0	14	5
G 1/2	21HT4KIV160			16	40				
G 3/4	21HT5KIV160			25	120				
G 1	21HT6KIV250			6	-				

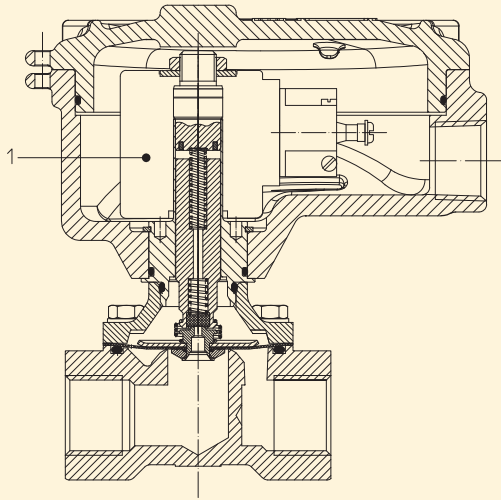


(According to Directive 2014/34/EU ATEX)
II 2G Ex d IIC T6 or T5 Gb
II 2D Ex tb IIIC T80°C or T95°C Db IP67

Note

Available on request and with minimum quantities.

The "ODE" reserves the right to carry out technical and aesthetic modifications without prior notice.



MATERIALS:

Body	Brass - UNI EN 12165 CW617N
Armature tube	Stainless steel AISI series 300
Fixed core	Stainless steel AISI series 400
Plunger	Stainless steel AISI series 400
Phase displacement ring	Copper - Cu 99,9%
Spring	Stainless steel AISI series 300
Seal	Standard: V=FKM+PA On request: Y=NBR+PA
Orificie	Brass - UNI EN 12165 CW617N
Coil housing:	Die cast and passivated Aluminium

Connector conformity ISO 4400

FEATURES:

Electrical conformity	IEC 335
Protection degree	IP 67 EN 60529 (DIN 40050) if installed with cable gland Atex Ex d IP67 or higher.

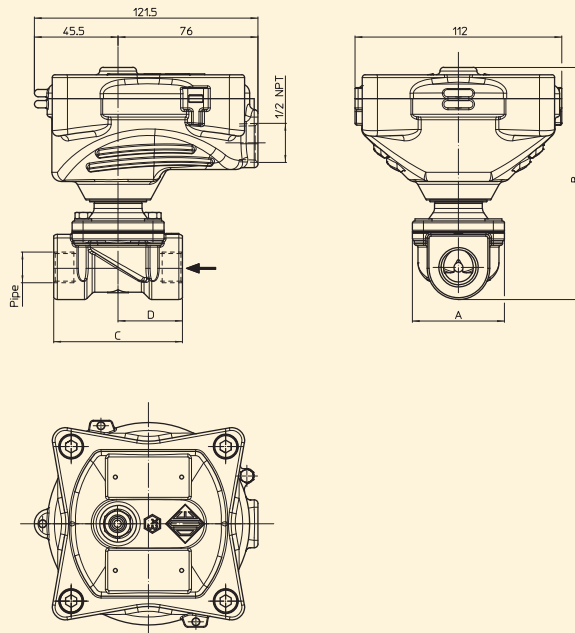
SPARE PARTS:

1. Coil:
See coils list for
Solenoid valves explosion
proof Atex - Ex d

ACCESSORIES:

Code P992219 Cable Gland
(to be ordered separately)

DIMENSIONS:



Type	Pipe ISO 228/1	A mm	B mm	C mm	D mm
21HT3KIV110	G 3/8	50	113	56	28
21HT4KIV160	G 1/2		125	70	35
21HT5KIV160	G 3/4	65	131	104	52
21HT6KIV250	G 1				

COIL TYPE	POWER ABSORPTION		
	W ---	Hold VA ~	Inrush VA ~
B	8	14,5	25