



Solenoid valve 2/2 way N.C. Direct acting - NSF Certified

21A31K1V45-WT3

÷

21A22K1V55-WT3

PRESENTATION:

Direct acting S.V. for interception of fluids compatible with the construction materials.

Minimum operational pressure is not required.

The materials used and the tests carried out ensure maximum reliability and duration.

USE: Vending

PIPES: G 1/8 - G 1/4

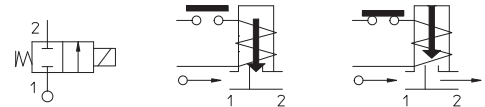
COIL: 8W - Ø 13 (1)
 BDA - BSA 155°C (class F)
 BDV 180°C (class H)
 12W - Ø 13
 UDA 155°C (class F)
 14W - Ø 13
 GDH - GDV 180°C (class H)
 (1) Explosion-proof housing for coils with electrical connections EN 175301-803 on request.

COIL HOUSING AND COIL FORMER MATERIAL ARE MADE BY 100% VIRGIN MATERIAL.

Max. allowable pressure (PS) 40 bar
 See coils catalogue page for its compatibility.



Gaskets	Temperature	Medium
V=FKM (fluoroelastomer)	- 10°C + 140°C	Water, Air, Steam



Pipe ISO 228/1	Code	Max viscosity		Ø mm	Kv l/mn	Power watt	Pressure		
		cSt	°E				min bar	M.O.P.D	
								AC bar	DC bar
G 1/8	21A31K1V45-WT3	53	~7	4,5	6,5	0	8	10	5
							12	17	8
							14	18	10
	21A31K1V55-WT3			8	7		2		
				12	10		3,5		
				14	13		7		
G 1/4	21A22K1V45-WT3	53	~7	4,5	6,5	0	8	10	5
							12	17	8
							14	18	10
	21A22K1V55-WT3			8	7		2		
				12	10		3,5		
				14	13		7		



Note Available on request and with minimum quantities.

The "ODE" reserves the right to carry out technical and aesthetic modifications without prior notice.

MATERIALS:

Body	Low Lead Brass
Armature tube	Stainless steel AISI series 300
Fixed core	Stainless steel AISI series 400
Plunger	Stainless steel AISI series 400
Phase displacement ring	Gold plated copper
Spring	Stainless steel AISI series 300
Seal	V=FKM
Orifice	Low Lead Brass

On request:

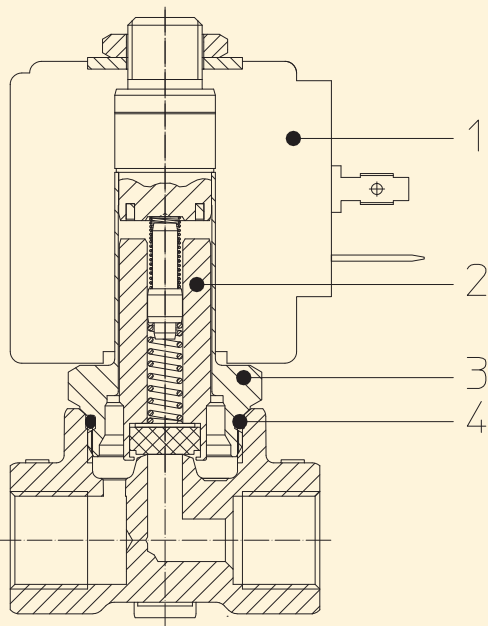
Connector	Pg 9 or Pg 11
Connector conformity	ISO 4400

FEATURES:

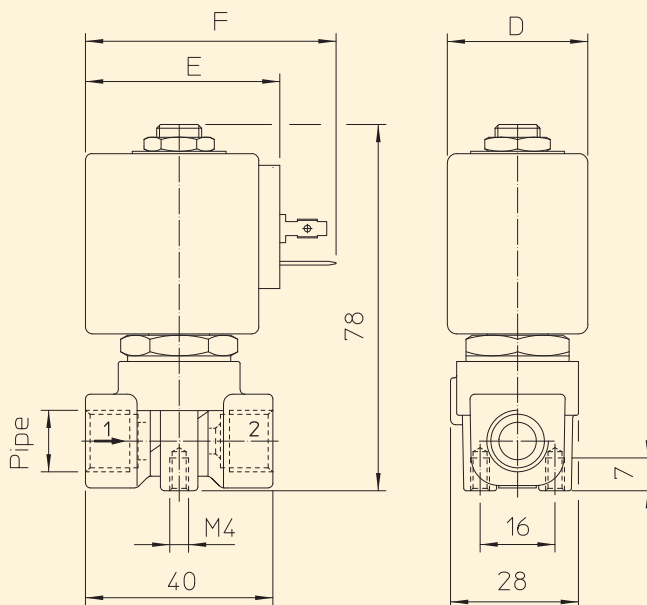
Electrical conformity	IEC 335
Protection degree	IP 65 EN 60529 (DIN 40050) with coil fitted by connector.

SPARE PARTS:

- Coil:**
See coils list
- Complete plunger:**
Code R450898/VX-2561
- Complete armature tube:**
Code R450606/D
- Gasket O-Ring:**
Code R992352/VX



DIMENSIONS:



COIL	POWER ABSORPTION			DIMENSIONS		
	W =	Inrush VA ~	Hold VA ~	D mm	E mm	F mm
B	8	14,5	25	30	42	54
U	12	23	35	36	48	60
G	14	27	43	52	55	67