



Solenoid valve 2/2 way N.C. Direct acting - NSF Certified

21A22K1V15-T3

÷

21A22K1V30-T3

PRESENTATION:

Direct acting S.V. for interception of fluids compatible with the construction materials.

Minimum operational pressure is not required.

The materials used and the tests carried out ensure maximum reliability and duration.

USE: Vending

PIPES: G 1/8 - G 1/4

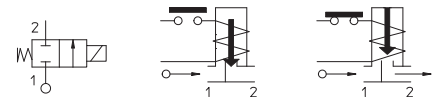
COIL: 8W - Ø 13
BDA - BSA 155°C (class F)
BDV 180°C (class H)

COIL HOUSING AND COIL FORMER MATERIAL ARE MADE BY 100% VIRGIN MATERIAL.

Max. allowable pressure (PS) 40 bar
See coils catalogue page for its compatibility.



Gaskets	Temperature		Medium
V=FKM (fluoroelastomer)	- 10°C	+ 140°C	Water, Air, Steam



Pipe ISO 228/1	Code	Max viscosity		Ø mm	Kv l/mn	Power watt	Pressure		
		cSt	°E				min bar	M.O.P.D. AC bar DC bar	
G 1/8	21A31K1V10-T3	12	~ 2	1	0,45	8	0	35	35
	21A31K1V15-T3			1,5	1,4			30	18
	21A31K1V20-T3	37	~ 5	2	2			22	16
	21A31K1V25-T3	53	~ 7	2,5	3,2			14	9
	21A31K1V30-T3			3	4			10	6
	21A31K1V45-T3			4,5	6,5			5	2
21A31K1V55-T3	5,5			9	3	1			
G 1/4	21A22K1V10-T3	12	~ 2	1	0,45	8	0	35	35
	21A22K1V15-T3			1,5	1,4			30	18
	21A22K1V20-T3	37	~ 5	2	2			22	16
	21A22K1V25-T3	53	~ 7	2,5	3,2			14	9
	21A22K1V30-T3			3	4			10	6
	21A22K1V45-T3			4,5	6,5			5	2
	21A22K1V55-T3			5,5	9			3	1

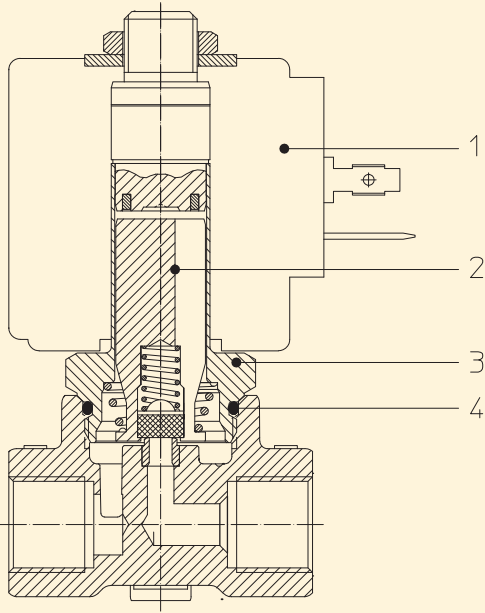
The solenoid valve with stainless steel 316 armature tube will be coded as follow: 21**6**A31K1...



Note

Available on request and with minimum quantities.

The "ODE" reserves the right to carry out technical and aesthetic modifications without prior notice.



MATERIALS:

Body Low Lead Brass
Armature tube Stainless steel AISI series 300
Fixed core Stainless steel AISI series 400
Plunger Stainless steel AISI series 400
Phase displacement ring Gold plated copper
Spring Stainless steel AISI series 300
Seal V=FKM

Orifice:
 ≤ 3 mm **Insert slot** Stainless steel AISI series 300
 > 3 mm Low Lead Brass

On request:
Connector Pg 9 or Pg 11
Connector conformity ISO 4400

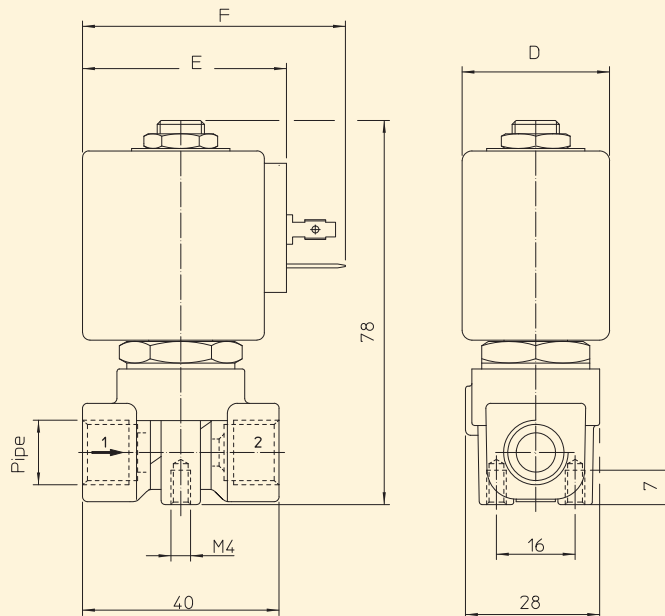
FEATURES:

Electrical conformity IEC 335
Protection degree IP 65 EN 60529 (DIN 40050)
 with coil fitted by connector.

SPARE PARTS:

1. **Coil:**
See coils list
2. **Complete plunger:**
Code R453273/VX
3. **Complete armature tube:**
Code R450606/D
4. **Gasket O-Ring:**
Code R992352/VX

DIMENSIONS:



COIL TYPE	POWER ABSORPTION			DIMENSIONS		
	W =	Hold VA ~	Inrush VA ~	D mm	E mm	F mm
B	8	14,5	25	30	42	54