



Solenoid valve 2/2 way N.C. Combined operation

21IH3K1B150-XS
+
21IH8K1B400-SXS

PRESENTATION:

Combined operation S.V. for interception of fluids compatible with the construction materials. Components are degreased and silicone free. Minimum operational pressure is not required. The materials used and the tests carried out ensure maximum reliability and duration.

USE: Automation - Heating - Chemistry

PIPES: G 3/8 - G 1 1/2

COIL:

8W - Ø 13	
BDA - BSA	155°C (class F)
BDV	180°C (class H)
12W - Ø 13	
UDA	155°C (class F)
14W - Ø 13	
GDA - GDS	155°C (class F)
GDH - GDV	180°C (class H)

COIL HOUSING AND COIL FORMER MATERIAL ARE MADE BY 100% VIRGIN MATERIAL.



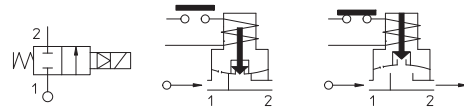
Max. allowable pressure (PS) 16 bar

Ambient temperature:

See coils catalogue page for its compatibility.

Gaskets	Temperatura		Medium
BXS = NBR Silicone free	- 10°C	+ 90°C	Air, inert gas, water
EXS=EPDM Silicone free	- 10°C	+140°C	Water, steam
VXS =FKM Silicone free	- 10°C	+140°C	Mineral oils (2°E),gasoline gas oil, fuel oils (7°E)

For seals other than NBR replace the letter "B" with the ones corresponding to the other seals. E.I. 21IH3K1V150-XS.



Pipe ISO 228/1	Codice	Max viscosity		Ø mm	Kv l/mn	Power watt	Pressure			
		cSt	°E				min bar	M.O.P.D. AC bar DC bar		
G 3/8	21IH3K1B150-XS	12	~ 2	15	40	8	0	14	6	
						12		-	14	
G 1/2	21IH4K1B160-XS				16	50		8	14	6
								12	-	14
G 3/4	21IH5K1B200-XS				20	60		8	14	6
								12	-	14
G 1	21IH6K1B250-XS			25	140	8		14	3	
						12		-	8	
G 1 1/4	21IH7K1B350-XS			35	300	14		14	-	
								250	-	7
	21IH8K1B400-XS			40	320			14	-	
								250	-	7



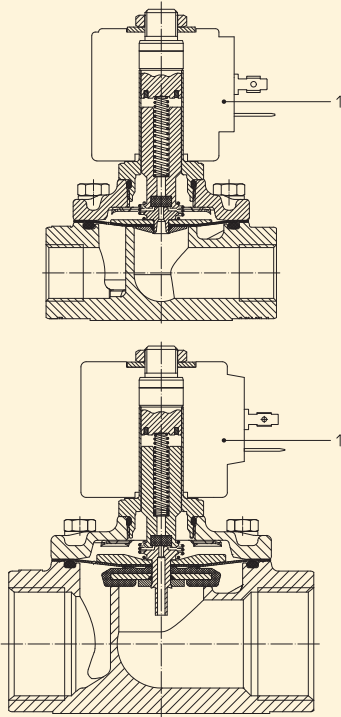
CE Approval

(Pressure Equipment Directive 97/23/CE)

for S.V. 21IH7+21IH8...SXS

Note Available on request and with minimum quantities.

The "ODE" reserves the right to carry out technical and aesthetic modifications without prior notice.



MATERIALS:

Body	Stainless steel AISI 316
Armature tube	Stainless steel AISI 316
Fixed core	Stainless steel AISI series 400
Plunger	Stainless steel AISI series 400
Phase displacement ring	Gold plated copper
Spring	Stainless steel AISI series 300
Seal	Standard: BXS=NBR On request: VXS=FKM EXS=EPDM
Orificie	Stainless steel AISI 316

On request:	
Connector	Pg 9 o Pg 11
Connector conformity	ISO 4400

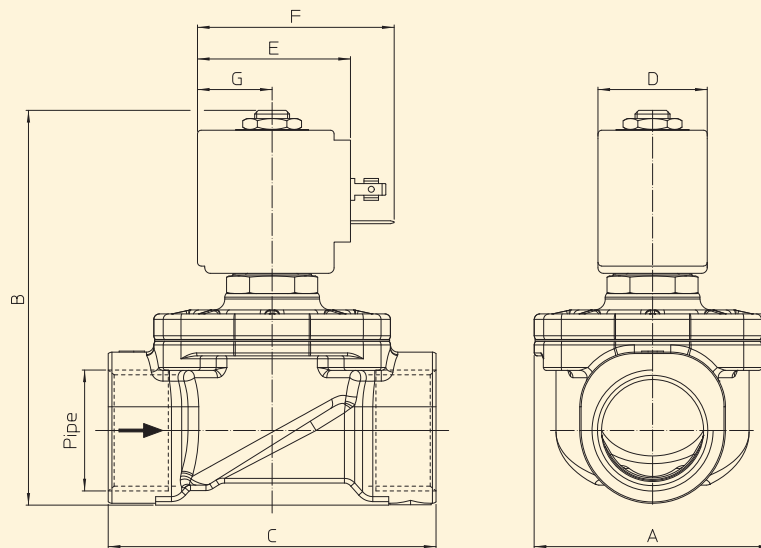
FEATURES:

Electrical conformity	IEC 335
Protection degree	IP 65 EN 60529 (DIN 40050) with coil fitted by connector.

SPARE PARTS:

- Coil:**
See coils list

DIMENSIONS:



Tipo	Raccordo ISO 228/1	A mm	B mm	C mm	BOBINA TIPO	POTENZA			DIMENSIONI			
						W ---	Esercizio VA ~	Allo spunto VA ~	D mm	E mm	F mm	G mm
21IH3K1B150-XS	G 3/8	52	92	68	B	8	14,5	25	30	42	54	20,5
21IH4K1B160-XS	G 1/2	58	100	75								
21IH5K1B200-XS	G 3/4	65	109	90	U	12	23	35	36	48	60	23,5
21IH6K1B250-XS	G 1	94	126	128								
21IH7K1B350-XS	G 1 1/4	94	126	128	G	14	27	43	52	55	67	25
21IH7K1B350-SXS												
21IH8K1B400-XS	G 1 1/2	94	126	128	G	14	27	43	52	55	67	25
21IH8K1B400-SXS												