



# Solenoid valve 2/2 way N.C. Direct acting

21JN1R0V15-RP

## PRESENTATION:

Direct acting S.V. for interception of fluids compatible with the construction materials.

Minimum operational pressure is not required.

The materials used and the tests carried out ensure maximum reliability and duration.

**USE:** Automation  
Heating

**PIPES:** G 1/8

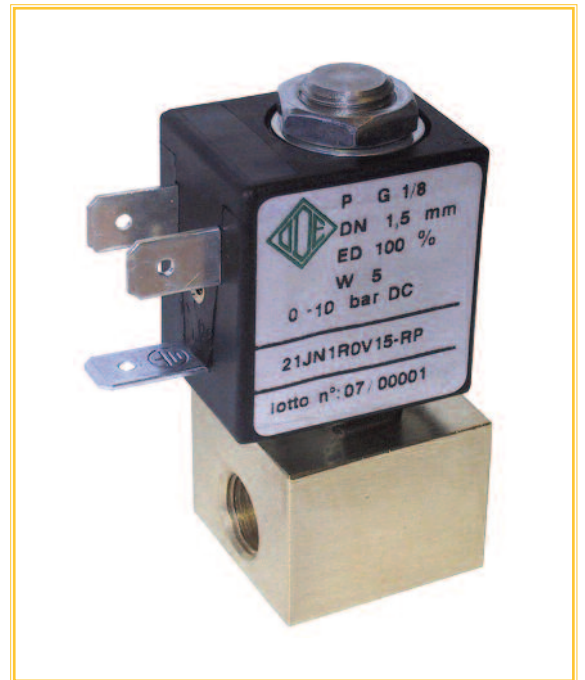
**COIL:** 5W - Ø 10  
LBA 155°C (class F)  
LBF - LBV 180°C (class H)  
8W ED 50% - Ø 10  
LBA08024HS 155°C (class F)

**COIL HOUSING AND COIL FORMER MATERIAL ARE MADE BY 100% VIRGIN MATERIAL.**

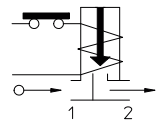
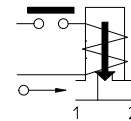
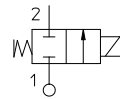
Max. allowable pressure (PS) 40 bar

Ambient temperature:

See coils catalogue page for its compatibility.



Gaskets	Temperature	Medium
V=FKM (fluoroelastomer)	- 10°C + 140°C	Mineral oils (2°E), gasoline gas oil, fuel oils (7°E)



Pipe ISO 228/1	Code	Max viscosity		Ø mm	Kv l/mn	Power watt	Pressure		
		cSt	°E				min bar	M.O.P.D.	
								AC bar	DC bar
G 1/8	21JN1R0V15-RP	12	~ 2	1,5	1,1	5	0	25	10
						8 * ED 50%		-	18
	21JN1R0V20-RP	37	~ 5	2	2	5		22	8
						8 * ED 50%		-	8

## Note

\* Standard cycle time - 1 minute | Available on request and with minimum quantities.

The "ODE" reserves the right to carry out technical and aesthetic modifications without prior notice.

## MATERIALS:

<b>Body</b>	Brass - UNI EN 12164 CW614N
<b>Armature tube</b>	Stainless steel AISI series 300
<b>Fixed core</b>	Stainless steel AISI series 400
<b>Plunger</b>	Stainless steel AISI series 400
<b>Phase displacement ring</b>	Copper - Cu 99,9%
<b>Spring</b>	Stainless steel AISI series 300
<b>Seal</b>	V=FKM
<b>Orifice: Insert slot</b>	Stainless steel AISI series 300

## On request:

<b>Connector</b>	Pg 9 or Pg 11
<b>Connector conformity</b>	ISO 4400

## FEATURES:

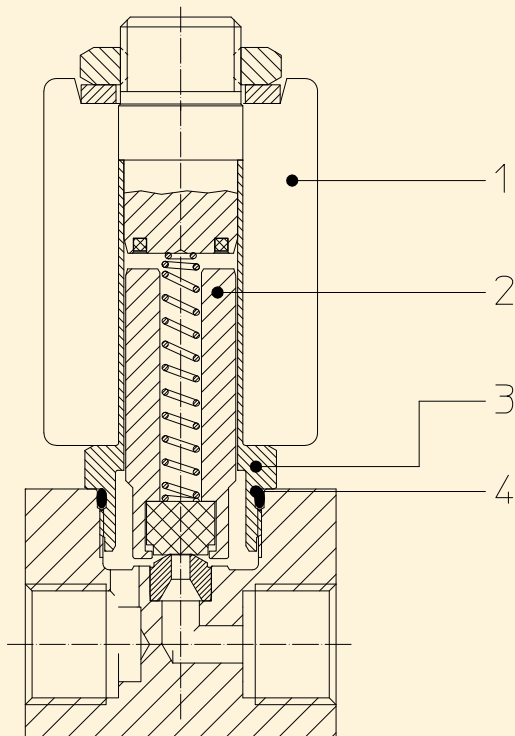
<b>Electrical conformity</b>	IEC 335
<b>Protection degree</b>	IP 65 EN 60529 (DIN 40050) with coil fitted by connector.

## SPARE PARTS:

- 1. Coil:**  
See coils list
- 2. Complete plunger:**  
Code R452867/VX
- 3. Complete armature tube :**  
Code R452062
- 4. Gasket O-Ring:**  
Code R990597/V

## KIT:

KT100R0V25-FJ=2+3+4



## DIMENSIONS:

