



# Solenoid valve 2/2 way N.C. Direct acting

21JBMR0B20

## PRESENTATION:

Direct acting S.V. for interception of fluids compatible with the construction materials.

Minimum operational pressure is not required.

The materials used and the tests carried out ensure maximum reliability and duration.

USE: Automation

PIPES: M5

COILS: 5W - Ø 10  
 LBA 155°C (class F)  
 LBF - LBV 180°C (class H)

**COIL HOUSING AND COIL FORMER MATERIAL ARE MADE BY 100% VIRGIN MATERIAL.**

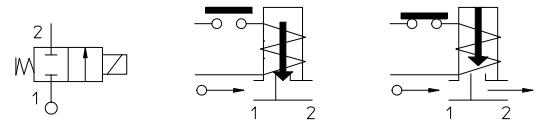
Max. allowable pressure (PS) 40 bar

Ambient temperature:

See coils catalogue page for its compatibility.



| Gaskets                | Temperature |        | Medium                |
|------------------------|-------------|--------|-----------------------|
| B=NBR (nitrile rubber) | - 10°C      | + 90°C | Air, inert gas, water |



| Pipe<br>D-ISO UNI 4534 | Code       | Max viscosity |     | Ø<br>mm | Kv<br>l/mn | Power<br>watt | Pressure   |                           |    |
|------------------------|------------|---------------|-----|---------|------------|---------------|------------|---------------------------|----|
|                        |            | cSt           | °E  |         |            |               | min<br>bar | M.O.P.D.<br>AC bar DC bar |    |
| M5                     | 21JBMR0B20 | 37            | ~ 5 | 2       | 2          | 5             | 0          | 22                        | 10 |

## Note

Available on request and with minimum quantities.

The "ODE" reserves the right to carry out technical and aesthetic modifications without prior notice.

### MATERIALS:

|                                |                                 |
|--------------------------------|---------------------------------|
| <b>Body</b>                    | Brass - UNI EN 12165 CW617N     |
| <b>Armature tube</b>           | Stainless steel AISI series 400 |
| <b>Fixed core</b>              | Stainless steel AISI series 400 |
| <b>Plunger</b>                 | Stainless steel AISI series 400 |
| <b>Phase displacement ring</b> | Copper - Cu 99,9%               |
| <b>Spring</b>                  | Stainless steel AISI series 300 |
| <b>Seal</b>                    | B=NBR                           |
| <b>Orifice</b>                 | Brass - UNI EN 12165 CW617N     |

### On request:

|                             |               |
|-----------------------------|---------------|
| <b>Connector</b>            | Pg 9 or Pg 11 |
| <b>Connector conformity</b> | ISO 4400      |

### FEATURES:

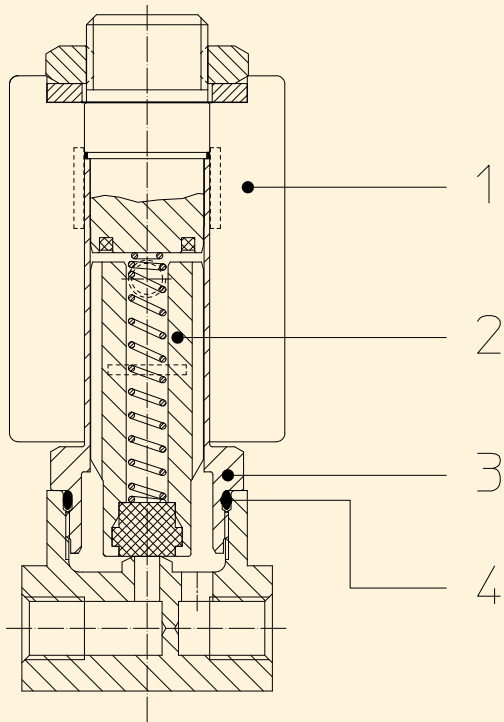
|                              |  |
|------------------------------|--|
| <b>Electrical conformity</b> | IEC 335  |
| <b>Protection degree</b>     | IP 65 EN 60529 (DIN 40050)<br>with coil fitted by connector. |

### SPARE PARTS:

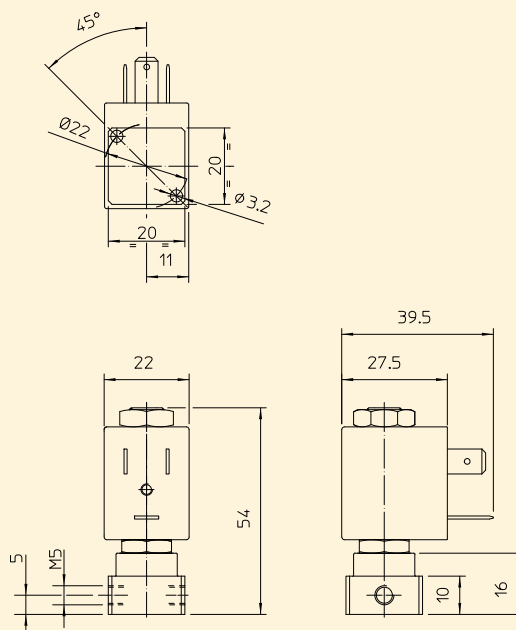
- Coil:**  
See coils list
- Complete plunger:**  
Code R453740/B
- Complete armature tube:**  
Code R452062
- Gasket O-Ring:**  
Code R990597/B

### KIT:

KT100R0B25-FJ=2+3+4



### DIMENSIONS:



| COIL TYPE | POWER ABSORPTION |              |                |
|-----------|------------------|--------------|----------------|
|           | W<br>---         | Hold<br>VA ~ | Inrush<br>VA ~ |
| L         | 5                | 10           | 15             |