



Pneumatically operated modular valve 2/2 N.C. | double acting Bidirectional

SERIE 21IZ3
(NPT Threaded Connection)

PRESENTATION:

- High flow rate due to optimized flow path on modular body design.
- Optimized design to reduce water hammer effects (below seat).
- Stainless steel body, corrosion resistant.
- Self positioning plug to ensure proper sealing.
- Optical position indicator.
- Stem packing self adjusting for long life service.
- Mounting orientation freely selectable.
- The pneumatic actuator can be 360° freely rotated.

USE: Fluids, gases, vapours (neutral, aggressive)

NOMINAL SIZE: 015 → G = 1/2", D=25
025 → G = 1", D=32

VALVE FEATURES:

Fluid Temperature	- 10°C + 180°C
Ambient temperature	- 10°C + 80°C
Fluid viscosity	max 600 cSt
Body	AISI 316
Seating seal	PTFE
Packing	PTFE

PILOT ACTUATOR FEATURES:

Pilot fluid	Air, inert gases
Fluid Temperature	max + 80°C
Housing	AISI 304
Piston seal	FKM
Size	Ø 50



CE Approval

(Pressure Equipment Directive 2014/68/EU)

Nota

Chemical compatibility fluids/materials, has to be verified at RFQ stage with ODE sales dept.

The "ODE" reserves the right to carry out technical and aesthetic modifications without prior notice.

N.C. pressure above seat

Pipe ANSI/ASME Bl.20.1	Code	Ø mm	Kv	Actuator pilot pressure (bar)		Differential pressure (bar)		Max. allowable pressure PS (bar)
				l/mn	min	max	min	
1/2 NPT	21IZ3DS1ATT015NT	18	101	3	4	0	16	16
1 NPT	21IZ3DS1ATT025NT	24	185	3	4,5	0	16	16

N.C. pressure below seat

Pipe ANSI/ASME Bl.20.1	Code	Ø mm	Kv	Actuator pilot pressure (bar)		Differential pressure (bar)		Max. allowable pressure PS (bar)
				l/mn	min	max	min	
1/2 NPT	21IZ3DS1ATT015NT	18	101	4,5	8	0	14	16
1 NPT	21IZ3DS1ATT025NT	24	185	4,5	8	0	7,5	16

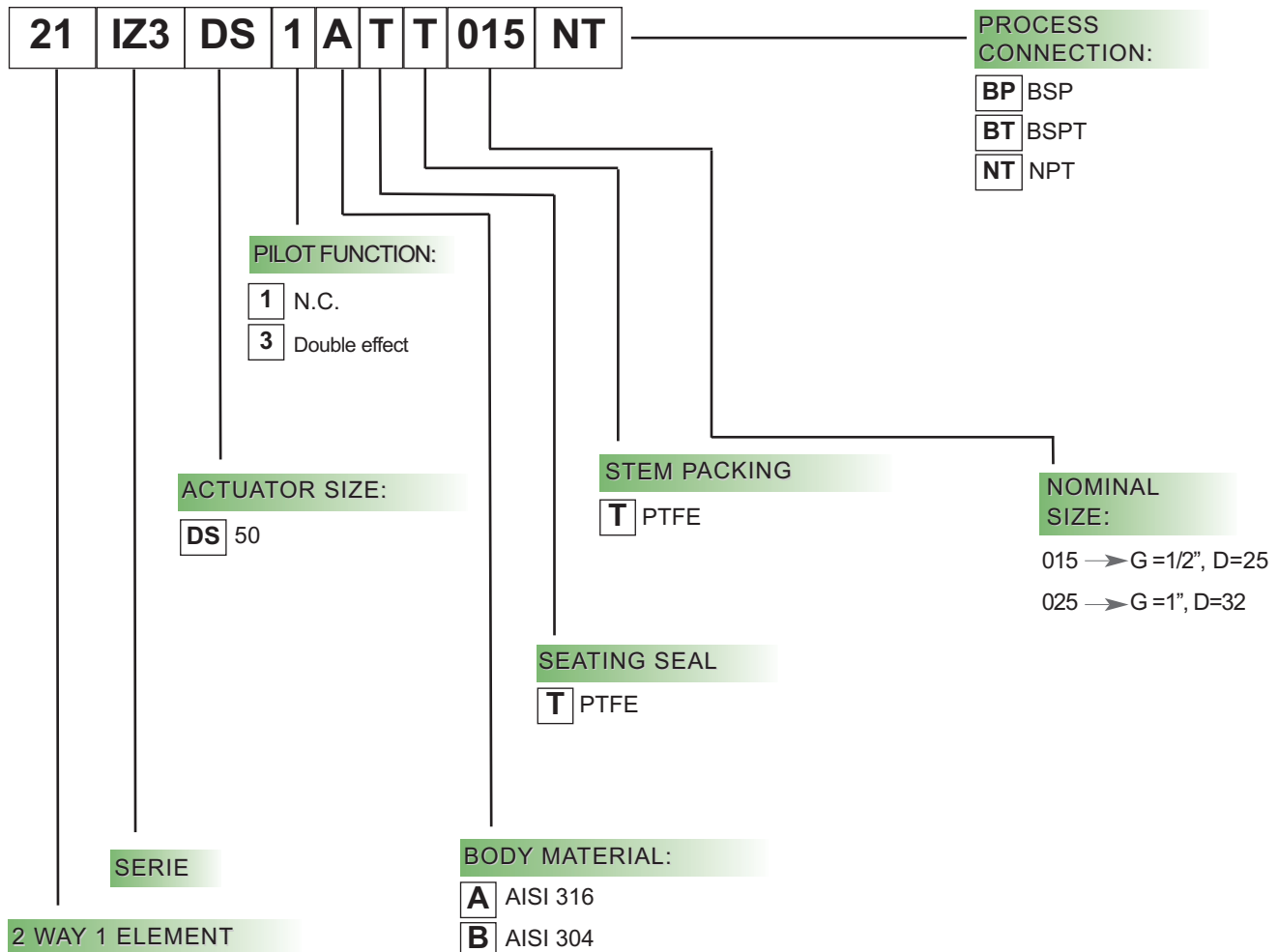
Double acting pressure above seat

Pipe ANSI/ASME Bl.20.1	Code	Ø mm	Kv	Actuator pilot pressure (bar)		Differential pressure (bar)		Max. allowable pressure PS (bar)
				l/mn	min	max	min	
1/2 NPT	21IZ3DS3ATT015NT	18	101	3	4	0	16	16
1 NPT	21IZ3DS3ATT025NT	24	185	3	4,5	0	16	16

Double acting pressure below seat

Pipe ANSI/ASME Bl.20.1	Code	Ø mm	Kv	Actuator pilot pressure (bar)		Differential pressure (bar)		Max. allowable pressure PS (bar)
				l/mn	min	max	min	
1/2 NPT	21IZ3DS3ATT015NT	18	101	3	8	0	16	16
1 NPT	21IZ3DS3ATT025NT	24	185	3	6	0	13	16

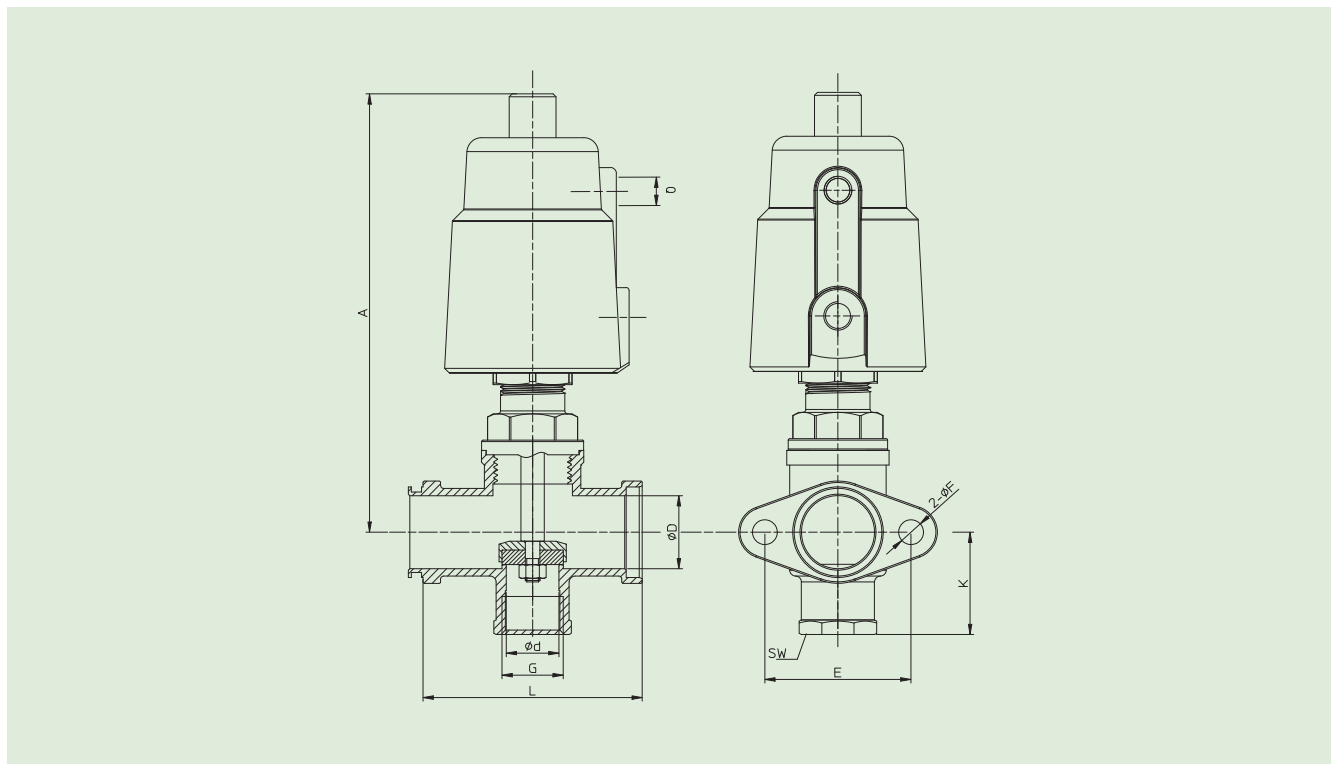
ORDERING CODE

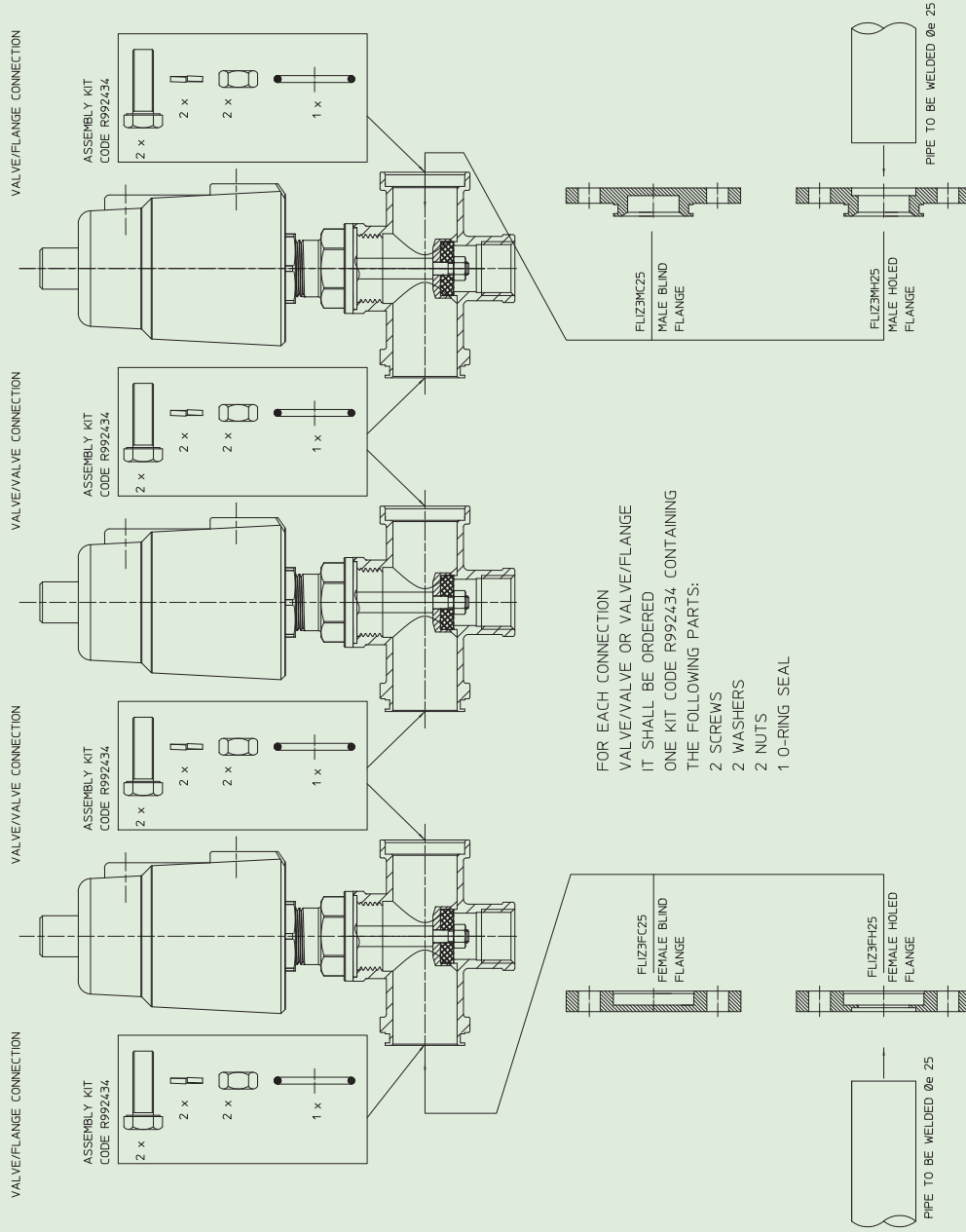




Type	G Pipe ANSI/ASME Bl.20.1	A mm	D mm	d mm	E mm	2-ØF mm	K mm	L mm	Q ISO 228/1	SW	Weight Kg
21IZ3DS1ATT015NT	1/2 NPT	153	25	18	50	8,5	35	76	G 1/8	27	1,2
21IZ3DS1ATT025NT	1 NPT		32	24	57		46	90	G 1/8	39	1,6
21IZ3DS3ATT015NT	1/2 NPT		25	18	50		35	76	G 1/8	27	1,2
21IZ3DS3ATT025NT	1 NPT		32	24	57		46	90	G 1/8	39	1,6

DIMENSIONS:



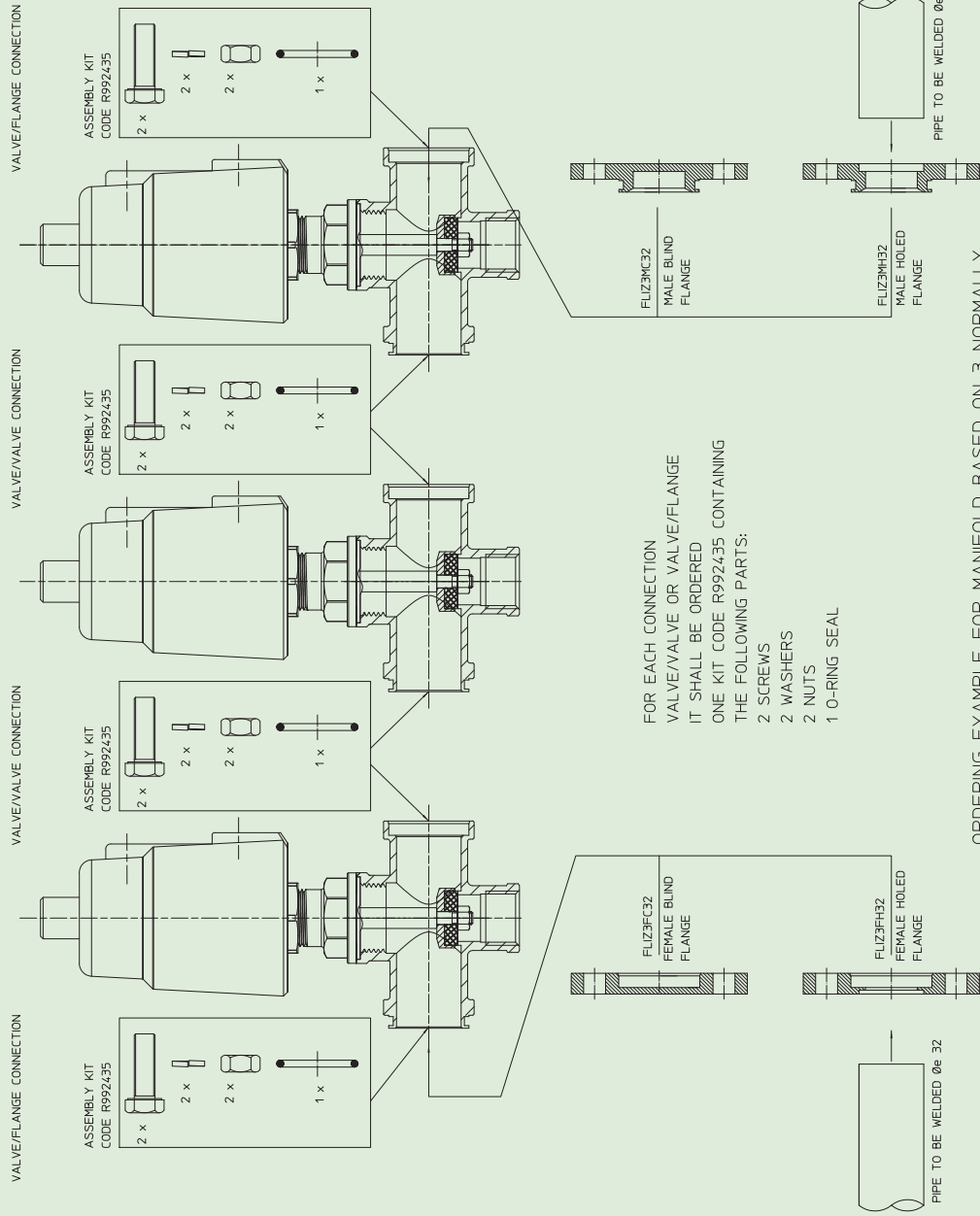


FOR EACH CONNECTION VALVE/VALVE OR VALVE/FLANGE IT SHALL BE ORDERED ONE KIT CODE R992434, CONTAINING THE FOLLOWING PARTS:
 2 SCREWS
 2 WASHERS
 2 NUTS
 1 O-RING SEAL

ORDERING EXAMPLE FOR MANIFOLD BASED ON 3 NORMALLY CLOSED VALVES
 N. 3 VALVES COD. 21I23DS1ATT015BP
 N. 4 KIT COD. R992434
 N. 1 MALE FLANGE TO BE CHOSEN BETWEEN COD. FLI23MC25 O COD. FLI23MH25
 N. 1 FEMALE FLANGE TO BE CHOSEN BETWEEN COD. FLI23FC25 O COD. FLI23FH25

NOMINAL SIZE 025

ASSEMBLY ACCESSORIES:



FOR EACH CONNECTION VALVE/VALVE OR VALVE/FLANGE IT SHALL BE ORDERED ONE KIT CODE R992435 CONTAINING THE FOLLOWING PARTS:
 2 SCREWS
 2 WASHERS
 2 NUTS
 1 O-RING SEAL

ORDERING EXAMPLE FOR MANIFOLD BASED ON 3 NORMALLY CLOSED VALVES
 N. 3 VALVES CODE 21I23DS1ATT025BP
 N. 4 KIT CODE R992435

N. 1 MALE FLANGE TO BE CHOSEN BETWEEN CODE FLI23MC32 OR CODE FLI23MH32
 N. 1 FEMALE FLANGE TO BE CHOSEN BETWEEN CODE FLI23FC32 OR CODE FLI23FH32