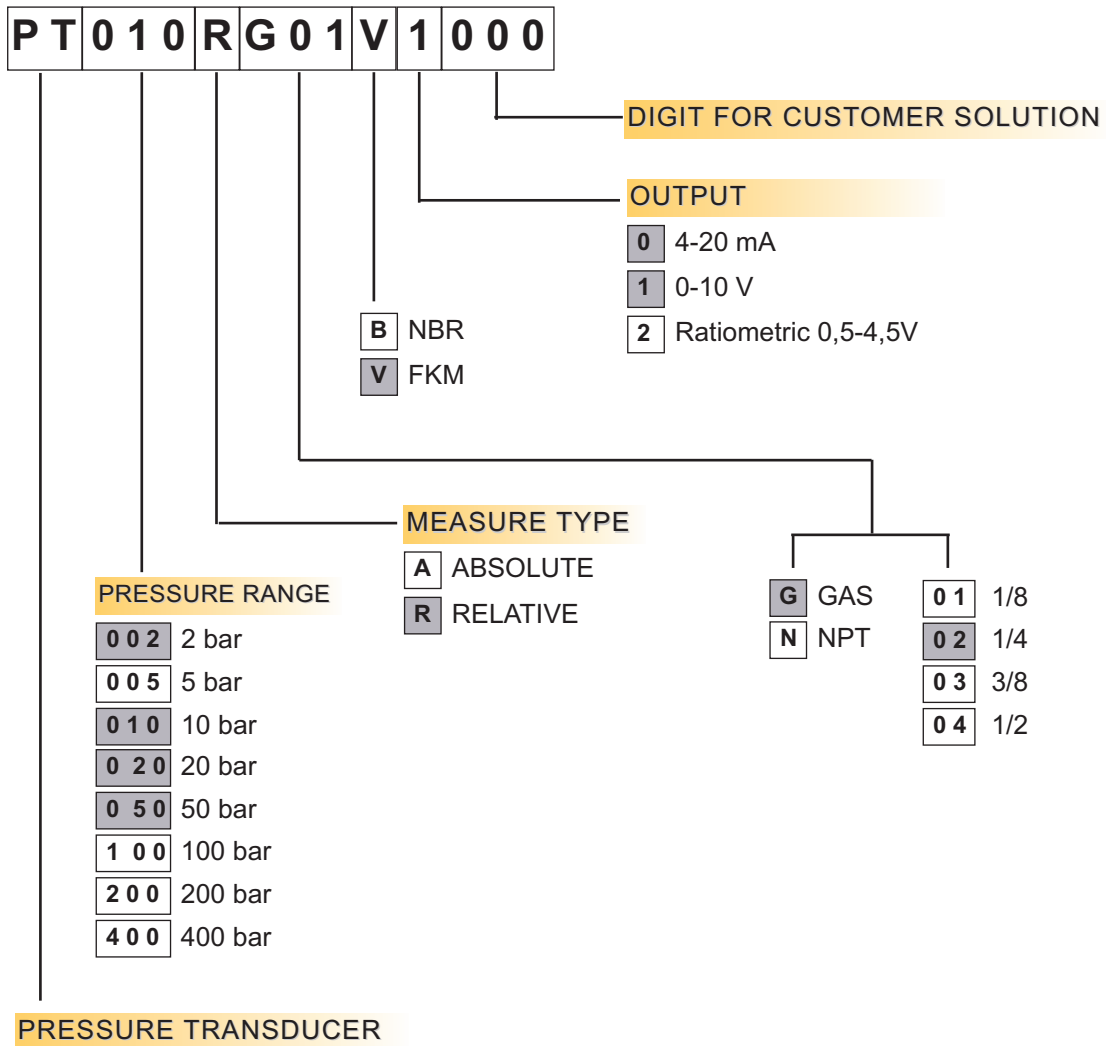




PRESSURE TRANSDUCER



 Standard

The "ODE" reserves the right to carry out technical and aesthetic modifications without prior notification.



Pressure transducer UL CSA Certified

Serie PT

DESCRIPTION:

The pressure transducer generates an electrical output signal proportional to the inlet pressure. The ceramic pressure sensor is able to measure air, water, gas, steam and many aggressive media. When the temperature changes, the integrated digital electronic provides an offset and span correction and also an aging detection and compensation. This technology guarantees good precision and long term stability. This series meets EMI requirements.

(*) Due to the special O-Ring seal, specially developed for this type of product, can be assembled on the majority of existing fittings.

APPLICATION:

- General purpose
- Industrial pressure monitoring
- Medical
- Dosing system
- Vending
- Pneumatic pressure control
- Wide chemical compatibility

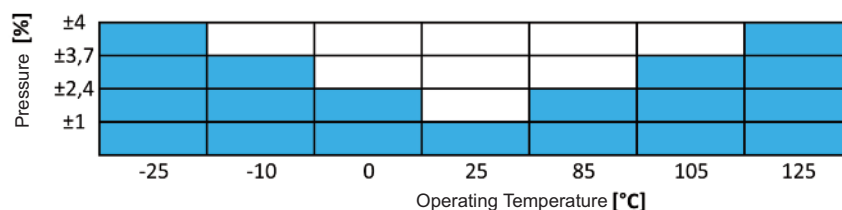


Gaskets	Temperature		Medium
V=FKM (fluoroelastomer)	- 10°C	+140°C	Mineral oils (2°E), gasoline gas oil, fuel oils (7°E)
B=NBR (nitrile rubber)	- 10°C	+ 90°C	Air, inert gas, water

For seals other than FKM replace the letter "V" with the ones corresponding to the other seals.
E.I. PT002RG02B0000.

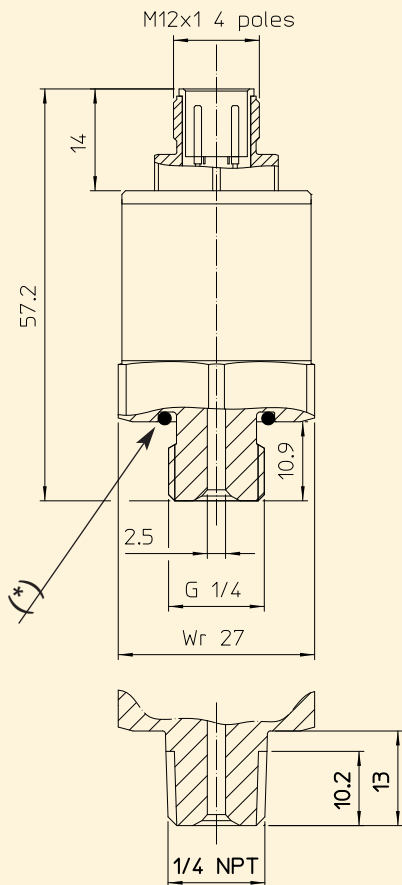
The letter in position 6 of the code identifies the pressure type.
A=Absolute
R=Relative

Pipe	Code	Pressure range [bar]	Supply Voltage [V]	Output range	Overload pressure [bar] PS	Burst pressure [bar]
G 1/4	PT002RG02V0000	0~2	9-35	4-20 mA	4	8
G 1/4	PT002RG02V2000	0~2	5	0,5~4,5V	4	8
G 1/4	PT005RG02V0000	0~5	9-35	4-20 mA	10	20
G 1/4	PT010RG02V0000	0~10	9-35	4-20 mA	20	35
G 1/4	PT010RG02V1000	0~10	12-35	0~10 V	20	35
1/4 NPT	PT020RN02V0000	0~20	9-35	4-20 mA	40	60
G 1/4	PT020RG02V0000	0~20	9-35	4-20 mA	40	60
G 1/4	PT020RG02V1000	0~20	12-35	0~10 V	40	60
G 1/4	PT020RG02V2000	0~20	5	0,5~4,5V	40	60
G 1/4	PT050RG02V0000	0~50	9-35	4-20 mA	100	140
G 1/4	PT050RG02V1000	0~50	12-35	0~10 V	100	140
G 1/4	PT100RG02V0000	0~100	9-35	4-20 mA	150	300
G 1/4	PT100RG02V1000	0~100	12-35	0~10 V	150	300
G 1/4	PT200RG02V0000	0~200	9-35	4-20 mA	300	400
G 1/4	PT400RG02V0000	0~400	9-35	4-20 mA	500	650



Operating temperature range: - 25 °C / +125 °C

The "ODE" reserves the right to carry out technical and aesthetic modifications without prior notification.



MATERIALS:

Connection fitting

Fitting seal

Ceramic sensor

AISI 316L

Standard: V=FKM

On request B=NBR

Al₂O₃ 96%

TECHNICAL DETAILS:

Environmental protection

IP67

Response time

≤ 5 ms

ACCESSORIES:

Connector M12 4 pole male (order separately).

P992268/1000 straight 1 mt

P992268/3000 straight 3 mt

P992268/5000 straight 5 mt

P992269/1000 90° 1 mt

P992269/3000 90° 3 mt

P992269/5000 90° 5mt

Other length on request.