

Solenoid valve 2/2 way N.C. With pilot control - NSF Certified

21WN6K1V250-10T5

PRESENTATION:

S.V. with pilot control for interception of fluids compatible with the construction materials.

A minimum operational pressure of 0,2 bar is required.

The materials used and the tests carried out ensure maximum reliability and duration.

USE: Automation
Heating

PIPES: 1 NPT

COIL: 8W - Ø 13
BDA - BSA 155°C (class F)
BDV 180°C (class H)

**COIL HOUSING AND COIL FORMER MATERIAL ARE
MADE BY 100% VIRGIN MATERIAL.**

Max. allowable pressure (PS) 25 bar

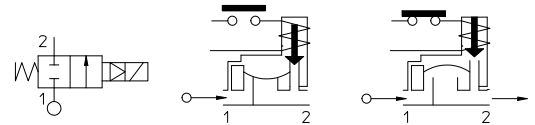
Ambient temperature:

See coils catalogue page for its compatibility.



Gaskets	Temperatur		Medium
V=FKM (fluoroelastomer)	- 10°C	+140°C	Mineral oils (2°E),gasoline gas oil
E=EPDM (ethylene-propylene)	- 10°C	+140°C	Water

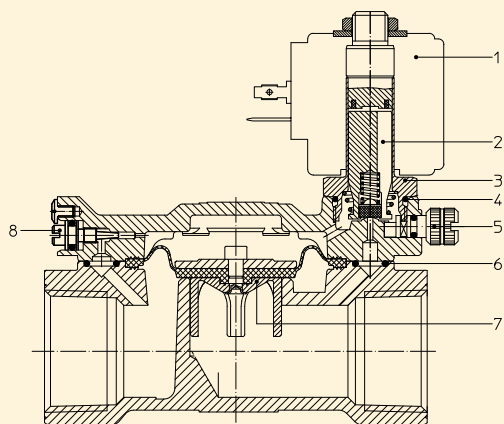
For seals other than FKM replace the letter "V" with the ones corresponding to the other seals. E.I. 21WN6K1E250-10T5.



Pipe ANSI/ASME BI.20.1	Code	Max viscosity		Ø mm	Kv l/mn	Power watt	Pressure		
		cSt	°E				min bar	M.O.P.D.	
								AC bar	DC bar
1 NPT	21WN6K1V250-10T5	12	~ 2	25	190	8	0,2	16	16



Note : Available on request and with minimum quantities.



MATERIALS:

Body	Low Lead Brass
Armature tube	Stainless steel AISI series 300
Fixed core	Stainless steel AISI series 400
Plunger	Stainless steel AISI series 400
Phase displacement ring	Copper - Cu 99,9%
Spring	Stainless steel AISI series 300
Seal	Standard: V=FKM On request: E=EPDM
Orifice	Low Lead Brass

On request:
Connector Pg 9 or Pg 11
Connector conformity ISO 4400

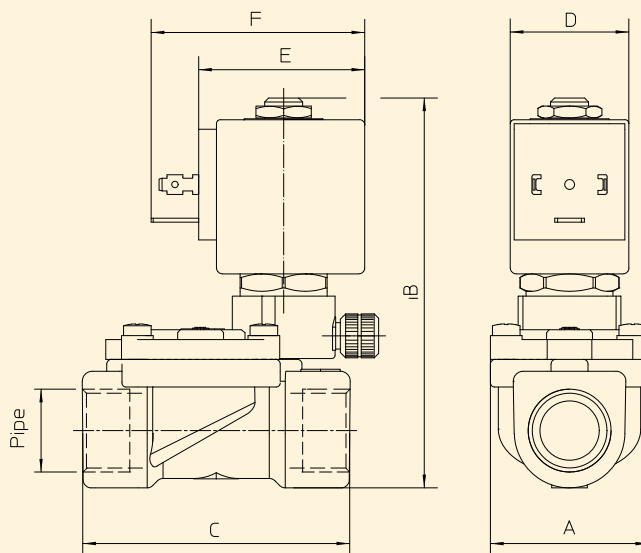
FEATURES:

Electrical conformity IEC 335
Protection degree IP 65 EN 60529 (DIN 40050)
 with coil fitted by connector.

SPARE PARTS:

- | | |
|---|---|
| 1. Coil:
See coils list | 6. Gasket O-Ring:
Code R990002/VX1 |
| 2. Complete plunger:
Code R450886/VX1 | 7. Complete diaphragm:
Code R453117/VX1/P |
| 3. Assieme canotto:
Code R450811 | 8. Regulation screw:
Code R450728/VX1/P |
| 4. Gasket O-Ring:
Code R990000/VX1 | |
| 5. Manual operation:
Code R451772/VX1/P | |

DIMENSIONS:



Type	Pipe	A mm	B mm	C mm
21WN6K1V250-10T5	1 NPT	65	113	104

COIL TYPE	POWER ABSORPTION			DIMENSIONS		
	W ---	Hold VA ~	Inrush VA ~	D mm	E mm	F mm
B	8	14,5	25	30	42	54