

Solenoid valve 2/2 way N.C. Combined operation

21IN3K1V150-IH

÷

21IN8K1V400-IH

PRESENTATION:

Combined operation S.V. for interception of fluids compatible with the construction materials.

Minimum operational pressure is not required.

The materials used and the tests carried out ensure maximum reliability and duration.

USE: Automation - Heating - Chemistry

PIPES: 3/8 NPT - 1 1/2 NPT

COILS:

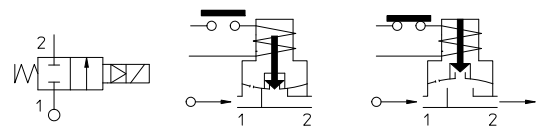
8W - Ø 13	
BDA - BDS - BSA	155°C (class F)
BDF - BDV	180°C (class H)
12W - Ø 13	
UDA	155°C (class F)
14W - Ø 13	
GDA - GDS	155°C (class F)
GDH - GDV	180°C (class H)

MOULDING AND BOBBIN ARE MADE BY 100% VIRGIN MATERIAL.

Max. allowable pressure (PS)	16 bar
Ambient temperature:	
with coils class F	- 10°C + 60°C
with coils class H	- 10°C + 80°C



Gaskets	Temperature		Medium
	- 10°C	+140°C	
V=FKM (fluoroelastomer)	- 10°C	+140°C	Mineral oils (2°E), gasoline gas oil
B=NBR (nitrile rubber)	- 10°C	+ 90°C	Air, inert gas, water



Pipe ANSI/ASME Bl.20.1	Code	Max viscosity		Ø mm	Kv l/mn	Power (watt)	Pressure		
		cSt	°E				min bar	M.O.P.D. AC bar DC bar	
3/8 NPT	21IN3K1V150-IH	12	~ 2	15	40	8	0	14	6
								-	14
1/2 NPT	21IN4K1V160-IH			16	50	8		14	6
						12		-	14
3/4 NPT	21IN5K1V200-IH			20	60	8		14	6
						12		-	14
1 NPT	21IN6K1V250-IH			25	140	8		14	3
						12		-	8
1 1/4 NPT	21IN7K1V350-IH	35	300	14	-	14			
1 1/2 NPT	21IN8K1V400-IH				40	340	14	-	

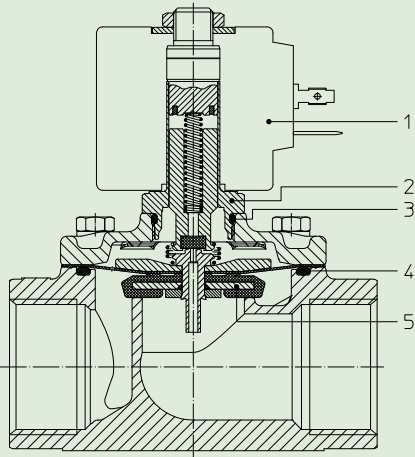
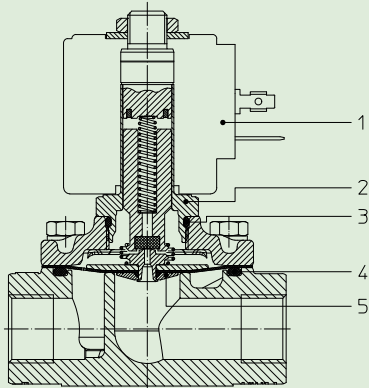


CE Approval

(Pressure Equipment Directive 97/23/CE)

for S.V. 21IN7÷21IN8

The "APPA" reserves the right to carry out technical and aesthetic modifications without prior notification.



MATERIALS:

- Body** Stainless steel AISI 316
- Armature tube** Stainless steel AISI 316
- Fixed core** Stainless steel AISI series 400
- Plunger** Stainless steel AISI series 400
- Phase displacement ring** Gold plated copper
- Spring** Stainless steel AISI series 300
- Seal** Standard: V=FKM
On request: B=NBR
- Orifice** Stainless steel AISI 316

- On request:**
- Connector** Pg 9 o Pg 11
- Connector conformity** ISO 4400

FEATURES:

- Electrical conformity** IEC 335
- Protection degree** IP 65 EN 60529 (DIN 40050)
with coil fitted by connector.

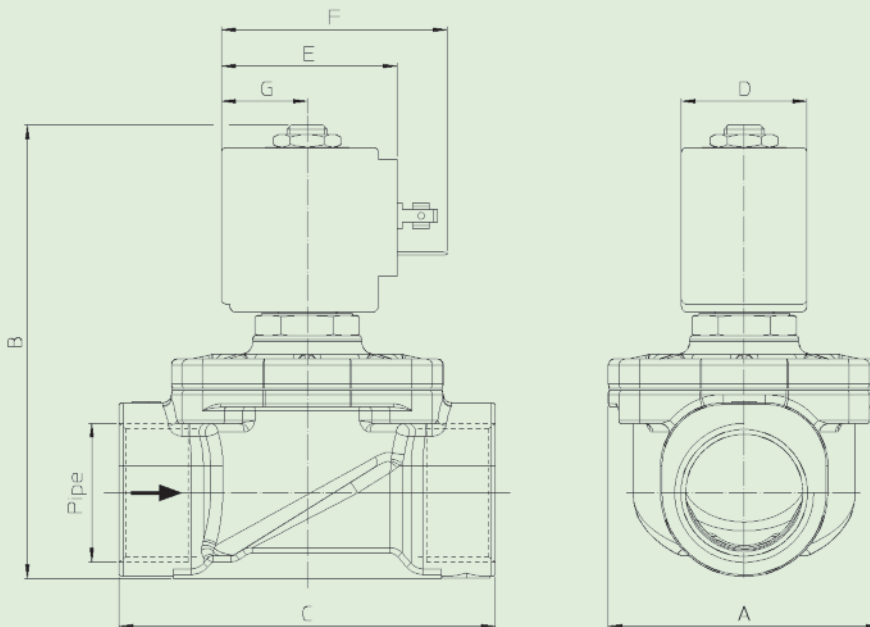
SPARE PARTS:

- 1. Coil:** 3/4 NPT Code R452899/V
See coils list 1 NPT Code R452846/V
- 2. Complete plunger:** 1 1/4+1 1/2 NPT Code R452904/V
Code R450811
- 3. Gasket O-Ring:** Code R990000/V
- 4. Gasket O-Ring:** 3/8+1/2 NPT Code R990105/V
3/4 NPT Code R992103/V
1 NPT Code R992109/V
1 1/4+1 1/2 NPT Code R992101/V
- 5. Complete diaphragm with plunger:** 3/8+1/2NPT Code R452894/V

MAINTENANCE KIT:

- 3/8 ÷ 1/2 NPT
- KTGIH3K1V15=4+5
- 3/4 NPT
- KTGIH5K1V20=4+5
- 1 NPT
- KTGIH6K1V25=4+5
- 1 1/4 ÷ 1 1/2 NPT
- KTGIH7K1V35=4+5

DIMENSIONS:



Type	Pipe	A mm	B mm	C mm
21IN3K1V150-IH	3/8 NPT	52	92	68
21IN4K1V160-IH	1/2 NPT			
21IN5K1V200-IH	3/4 NPT	58	100	75
21IN6K1V250-IH	1 NPT	65	109	90
21IN7K1V350-IH	1 1/4 NPT	94	126	128
21IN8K1V400-IH	1 1/2 NPT			

COIL TYPE	POWER ABSORPTION			DIMENSIONS			
	W ==	Hold VA ~	Inrush VA ~	D mm	E mm	F mm	G mm
B	8	14,5	25	30	42	54	20,5
U	12	23	35	36	48	60	23,5
G	14	27	43	52	55	67	25